

# GRUNDIG

## Electric Storage Water Heater

User Manual



GWH 10 L  
GWH 15 L  
GWH 30 L

EN - IT - FR - ES - PL



01M-8504973600-0322-01  
01M-8504983600-0322-01  
01M-8504993600-0322-01

# CONTENTS

---

<b>ENGLISH</b>	<b>03-15</b>
<b>ITALIANO</b>	<b>16-29</b>
<b>FRANÇAIS</b>	<b>30-42</b>
<b>ESPAÑOL</b>	<b>43-55</b>
<b>POLSKI</b>	<b>56-68</b>

## Please read this user manual first!

Dear Valued Customer,

Thank you for preferring this Grundig appliance. We hope that you get the best results from your appliance which has been manufactured with high quality and state-of-the-art technology. For this reason, please read this entire user manual and all other accompanying documents carefully before using the appliance and keep it as a reference for future use. If you handover the appliance to someone else, give the user manual as well. Follow the instructions by paying attention to all the information and warnings in the user manual.

Remember that this user manual may also apply to other models. Differences between models are explicitly described in the manual.

## Meanings of the Symbols

Following symbols are used in various sections of this user manual:



Important information and useful hints about usage.



**WARNING:** Warnings against dangerous situations concerning the security of life and property.



This appliance has been manufactured in environmentally friendly modern plants without giving any harm to the nature.

# 1 Important safety and environmental instructions

This section includes safety instructions that will help ensure the protection from risks of personal injuries or materialistic damages. Failure to follow these instructions shall void the warranty.

## 1.1 General safety

- Installation and Maintenance must be carried out by Grundig Authorized Service.
- Use only original parts or parts recommended by the manufacturer.
- Clean all parts before using the device for the first time. Please refer to the details in the "Cleaning and Maintenance" section.
- Heaters damaged because of calcification and operation without water are not covered by the warranty.
- Safety valve should never be dismantled, blocked (safety valve discharge pipe should be always kept open and never be closed), installation should be carried out by authorized service personnel.
- Safety valve settings have been made by the manufacturer. Never remove the safety valve from the device and do not change its setting.
- Water will flow from the safety valve for safety purposes at high water pressures, this is not a failure, but is required by the safety standard.
- Never change the safety valve supplied with your device.
- Safety valve should be protected against calcification. The manufacturer cannot be held responsible for any malfunctions or accidents caused by calcification. It is recommended to have your device and equipment serviced every year.
- The safety valve discharge pipe should be always kept open and should never be closed.

# 1 Important safety and environmental instructions

- After installation of the device, turn on the hot water tap so that the device is filled with water. When water starts to flow from the hot water tap, it means that the tank of the device is filled with water.
- If the mains pressure is greater than 6.5 bar, be sure to use a pressure regulator.

## 1.2 Electrical safety

- It should never be connected via an extension cord or multi plugs. The device must be connected to the fixed wiring.
- The operating voltage of the device is 230 V.
- Make sure that the mains voltage of your electrical installation is suitable for the device's operating voltage of 230V – 50 Hz.
- The device must be grounded.
- Check that the supply line of the device conforms with the device's operating current specified on the device label.

## 1.3 Product safety

- Never use the appliance near or on inflammable or combustible environments or materials.
- Do not operate your device until it is completely filled with water. Running your device while it is empty may damage the heater. Be sure to avoid this situation.
- It is recommended to replace the Magnesium Anode bar, which protects your device's tank from puncture, in every 2 years, depending on the hardness of water being used and the way it is used. If needed, the anode must be replaced.
- The Drainage Pipe must be positioned downwards all the time and installed in a non-freezing environment.
- The safety valve drainage outlet must be connected to a suitable water outlet.

# 1 Important safety and environmental instructions

- The safety valve drainage outlet should never be closed, it should be kept open so that it can drain the water and the hose supplied should be attached to the water outlet.
- Children should be supervised to ensure that they do not play with the appliance. This appliance can be used by children aged from 8 years and above and persons with reduced physical, sensory or mental capabilities or lack of experience and knowledge if they have been given supervision or instruction concerning use of the appliance in a safe way and understand the hazards involved. Children shall not play with the appliance. Cleaning and user maintenance shall not be made by children without supervision.

## 1.4 Intended use

- The appliance is intended for domestic use only. Appliance is not suitable for professional use.
- Do not use the appliance for any purpose other than its intended use.
- Do not use the device as heat source.

## 1.5 Child safety

- It is recommended to be extremely careful when using the device near children and people with limited physical, emotional, or mental capacity.
- Choking risk! Keep all packaging materials out of the reach of children.
- Make sure the appliance is kept out of the reach of children.

## 1.6 Compliance with the WEEE Directive and Disposing of the Waste Product:

This product complies with EU WEEE Directive (2012/19/EU) WEEE Regulations (S.I.2013/3113 and its amendments). This product bears a classification symbol for waste electrical and electronic equipment (WEEE).

# 1 Important safety and environmental instructions



This symbol indicates that this product shall not be disposed with other household wastes at the end of its service life.

Used device must be returned to official collection point for recycling of electrical and electronic devices. To find these collection systems please contact to your local authorities or retailer where the product was purchased. Each household performs important role in recovering and recycling of old appliance. Appropriate disposal of used appliance helps prevent potential negative consequences for the environment and human health.

## 1.7 Compliance with RoHS Directive

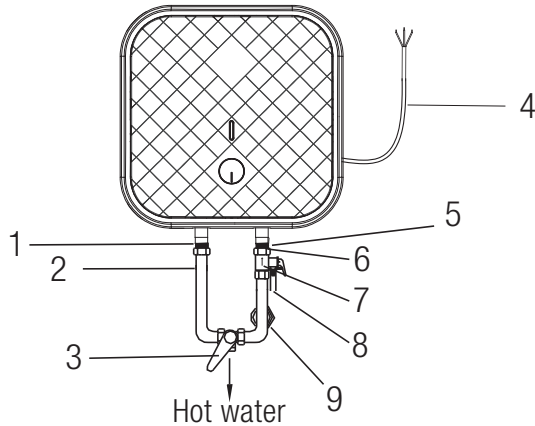
The product you have purchased complies with EU RoHS Directive (2011/65/EU) and UK RoHS Directive 2012. It does not contain harmful and prohibited materials specified in the Directive.

## 1.8 Package information



Packaging materials of the product are manufactured from recyclable materials in accordance with our National Environment Regulations. Do not dispose of the packaging materials together with the domestic or other wastes. Take them to the packaging material collection points designated by the local authorities.

## 2 Overview



### 2.1 Controls and parts

1. Rubber seal gaskets
2. Hot water outlet
3. Adjusting handle for mixing valve
4. Power cord
5. Rubber seal gaskets
6. Cold water inlet
7. Pressure relief valve
8. Pressure release hole
9. Joint screw for cold water inlet

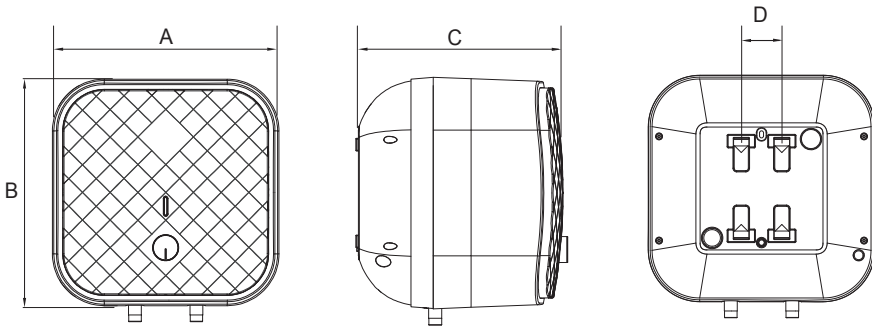
### 2.2 Technical part

Model	GWH 10L	GWH 15L	GWH 30L
<b>Voltage/Frequency</b>	220-240V, 50/60Hz	220-240V, 50/60Hz	220-240V, 50/60Hz
<b>Rated Power</b>	1500W	1500W	1500W
<b>Protection Against Electrical Shock</b>	Class I	Class I	Class I
<b>Rated Pressure</b>	0.75 Mpa	0.75 Mpa	0.75 Mpa
<b>Rank Waterproof</b>	IPX4	IPX4	IPX4
<b>Rated Capacity</b>	10.0L	15.0L	29.0 L
<b>Product Dimension</b>	324*324*315	368*368*340	440*440*420
<b>Net Weight (kg)</b>	7.3	8.8	14.1
<b>Gross weight (kg)</b>	8.8	11.2	16.0



## 2 Overview

### 2.3 Brief introduction of product structure

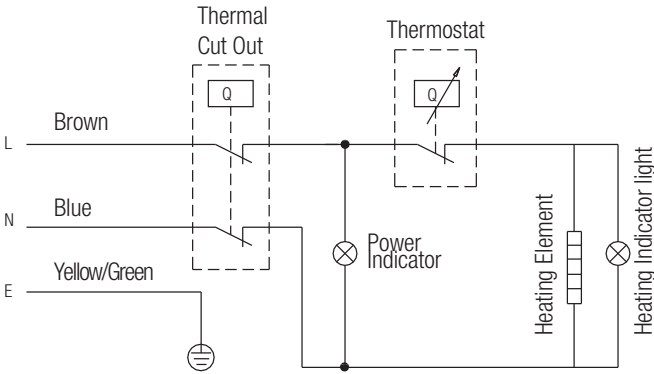


Model	GWH 10 L	GWH 15 L	GWH 30 L
A	324	368	440
B	324	368	440
C	315	340	388
D	66	66	66

(All dimensions are in mm)

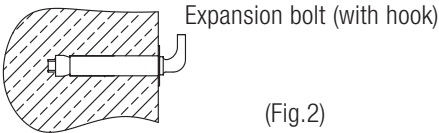
# 3 Installation

## 3.1 Internal wire diagram

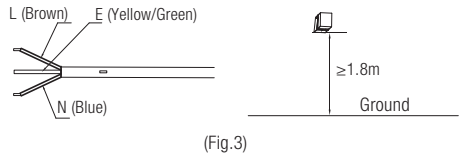


## 3.2 Installation instruction

1. This electrical water heater shall be installed on a solid wall. If the strength of the wall cannot bear the load equal to two times of the total weight of the heater filled fully with water, it is then necessary to install a special support. In case of hollow bricks wall, ensure to fill it with cement concrete completely.
2. After selecting a proper location, determine the positions of the two install holes used for expansion bolts with hook (200mm). Make two holes in the wall with the corresponding depth by using a chopping bit with the size matching the expansion bolts attached with the machine, insert the screws, make the hook upwards, tighten the nuts to fix firmly, and then hang the electrical water heater on it (see Fig.2).



3. Install the supply socket in the wall. The requirements for the socket are as follows: 250V/10A, single phase, three electrodes. It is recommended to place the socket on the right above the heater. The height of the socket to the ground shall not be less than 1.8m (see Fig.3).



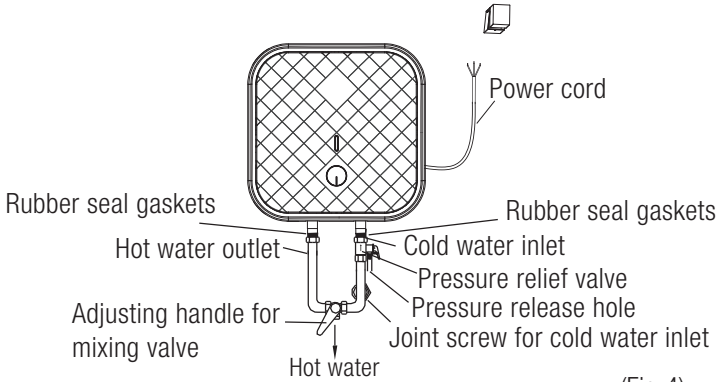
4. If the bathroom is too small, the heater can be installed at another place. However, in order to minimize the heat loss caused by the long pipeline, the water heater is suggested to be installed as close as possible to the outlet point.

## 3.3 Pipelines connection

1. The dimension of each pipe part is G1/2" ; The massive pressure of inlet should use Pa as the unit; The minimum pressure of inlet should use Pa as the unit.

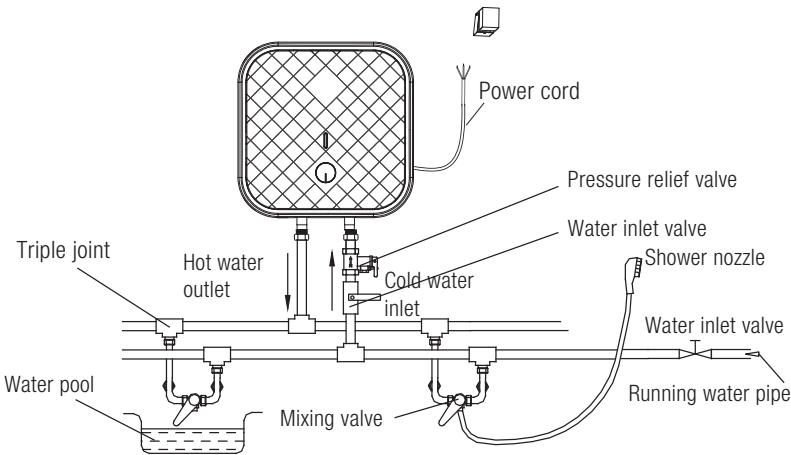
### 3 Installation

2. Connection of pressure relief valve with the heater on the inlet of the water heater.
3. In order to avoid leakage when connecting the pipelines, the rubber seal gaskets provided with the pipelines, the rubber seal gaskets provided with the heater must be added at the end of the threads to ensure leak proof joints (see Fig.4).



(Fig.4)

4. If the users want to realize a multi-way supply system, refer to the method shown in fig.5 for connection of the pipelines.



(Fig.5)

### 3 Installation



Please be sure to use the accessories provided by our company to install this electric water heater. This electric water heater can not be hung on the support until it has been confirmed to be firm and reliable. Otherwise, the electric water heater may drop off from the wall, resulting in damage of the heater, even serious accidents of injury. When determining the locations of the bolt holes, it shall be ensured that there is a clearance not less than 0.2m on the right side of the electric heater, to convenient the maintenance of the heater, if necessary.

## 4 Operation

First, open any one of the outlet valves at the outlet of the water heater, then, open the inlet valve. The water heater gets filled with water. When water flows out of the outlet pipe it implies that the heater has been filled fully with water, and the outlet valve can be closed.



During normal operation, the inlet valve shall be always kept open.

2. In a power-on state, the machine is heating when the indicator light is blue. The indicator light goes out when the heating process is finished, in the insulating state.

- Insert the supply plug into the socket.
- If the indicator lights up, the thermostat will automatically control the temperature. When the water temperature inside the heater has reached the set temperature, it will switch off automatically, when the water temperature falls below the set point the heater will be turned on automatically to restore the heating.



1. Rotate the knob according to the marking on the knob to increase or decrease the setting temperature. In Low mode, the setting temperature is about 30C°; In high mode, the setting temperature is about 75C°; In Eco mode, the setting temperature is about 55C°.

## 5 Cleaning and maintenance

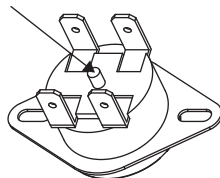


**WARNING!** Do not cut off power supply before maintenance, to avoid danger like electric shock.

- Check the power plug and outlet as often as possible. Secure electrical contact and also proper grounding must be provided. The plug and outlet must not heat excessively.
- If the heater is not used for a long time, especially in regions with low air temperature (below 0°C), it is necessary to drain water from the heater to prevent damage of the water heater, due to water freezing in the internal tank. (Refer Cautions in this manual for the method to drain away the water from the inner container).
- To ensure long reliable water heater operation, it is recommended to regularly clean the internal tank and remove deposits on the electric heating element of the water heater, as well as check condition (fully decomposed or not) of the magnesium anode and, if necessary, replace it with a new one in case of full decomposition. Tank cleaning frequency depends on hardness of water located in this territory. Cleaning must be performed by special maintenance services. You can ask the seller for address of the nearest service center.
- The water heater is equipped with a thermal switch, which cuts off power supply of the heating element upon water overheating or its absence in the water heater. If the water heater is connected to the mains, but water is not heated and the indicator doesn't light up, then the thermal switch was switched off or not switched on. To reset the water heater to the operating condition, it is necessary to:
  1. De-energize the water heater, remove the plate of the side/lower cover.

2. Press the button, located at the center of the thermal switch, see Fig.7;
3. If the button is not pressed and there is no clicking, then you should wait until the thermal switch cools down to the initial temperature.

Manual reset button



(Fig.7)



**WARNING!** Non-professionals are not allowed to disassemble the thermal switch to reset. Please contact professionals to maintain. Otherwise our company will not take responsibility if any quality accident happens because of this.

## 6 Troubleshooting

Failures	Reasons	Treatment
The heating indicator light is off.	Failures of the temperature controller.	Contact with the professional personnel for repair.
No water coming out of the hot water outlet.	<ol style="list-style-type: none"><li>1. The running water supply is cut off.</li><li>2. The hydraulic pressure is too low.</li><li>3. The inlet valve of running water is not open.</li></ol>	<ol style="list-style-type: none"><li>1. Wait for restoration of running water supply.</li><li>2. Use the heater again when the hydraulic pressure is increased.</li><li>3. Open the inlet valve of running water.</li></ol>
The water temperature is too high.	Failures of the temperature control system.	Contact with the professional personnel for repair.
Water leak	Seal problem of the joint of each pipe.	Seal up the joints.



Parts illustrated in this use and care manual are indicative only, parts provided with the product may differ with illustrations. This product is intended for household use only. Specifications are subject to change without notice.

## Leggere come prima cosa questo manuale dell'utente!

Gentile Cliente,  
grazie per aver scelto di acquistare questo prodotto Grundig. Ci auguriamo tu ottenga i migliori risultati dal tuo apparecchio, che è stato prodotto con standard di alta qualità e tecnologia all'avanguardia. Per questo motivo, preghiamo di leggere attentamente tutto il presente manuale d'uso e tutti gli altri documenti forniti in dotazione prima di utilizzare l'apparecchio e di conservarli come riferimento per l'uso futuro. Se si consegna l'apparecchio a qualcun altro, consegnare anche il manuale d'uso. Seguire le istruzioni prestando attenzione a tutte le informazioni e le avvertenze contenute nel manuale d'uso.

Si prega di ricordare che questo manuale d'uso può essere applicato anche ad altri modelli. Le differenze tra i modelli vengono descritte esplicitamente all'interno del manuale.

### Significato dei simboli

I seguenti simboli vengono utilizzati nelle varie sezioni di questo manuale d'uso:

	Informazioni importanti e suggerimenti utili sull'uso.
--	--

	<b>AVVERTENZA:</b> Avvertenze relative a situazioni pericolose riguardanti la sicurezza della vita e delle cose.
--	--



Questo prodotto è stato prodotto in moderni impianti rispettosi dell'ambiente, senza causare danni alla natura.



# 1 Importanti istruzioni di sicurezza e ambientali

La presente sezione comprende istruzioni di sicurezza volte a garantire la protezione da rischi di lesioni personali o danni materiali. Il mancato rispetto di queste istruzioni invaliderà la garanzia.

## 1.1 Sicurezza generale

- Le operazioni di installazione e manutenzione vanno eseguite da un servizio autorizzato Grundig.
- Servirsi unicamente di ricambi originali o consigliati dal produttore.
- Pulire tutte le componenti prima di iniziare a servirsi del dispositivo. Invitiamo a fare riferimento ai dettagli nella sezione "Pulizia e manutenzione".
- Gli scaldacqua danneggiati a causa della calcificazione e del funzionamento senza acqua non sono coperti dalla garanzia.
- La valvola di sicurezza non deve mai essere smontata, bloccata (il tubo di scarico della valvola di sicurezza deve essere tenuto sempre aperto e mai chiuso), l'installazione deve essere eseguita da personale autorizzato.
- Le impostazioni della valvola di sicurezza sono state realizzate dal produttore. Non togliere mai la valvola di sicurezza dall'apparecchio e non modificarne mai la regolazione.
- Per motivi di sicurezza l'acqua uscirà dalla valvola di sicurezza in presenza di pressioni d'acqua elevate. Non si tratta di un guasto, quanto piuttosto di funzionalità richieste dallo standard di sicurezza.
- Non modificare mai la valvola di sicurezza fornita in dotazione con il dispositivo.
- La valvola di sicurezza deve essere protetta dalla calcificazione. Il produttore non può essere ritenuto responsabile di eventuali anomalie di funzionamento o incidenti causati dalla calcificazione.

# 1 Importanti istruzioni di sicurezza e ambientali

Consigliamo di far revisionare il dispositivo e l'attrezzatura con cadenza annuale.

- Il tubo di scarico della valvola di sicurezza deve essere sempre tenuto aperto. Non deve mai essere tenuto chiuso.
- Dopo l'installazione del dispositivo, aprire il rubinetto dell'acqua calda in modo che il dispositivo sia pieno d'acqua. Quando l'acqua inizia a scorrere dal rubinetto dell'acqua calda, significa che il serbatoio del dispositivo è pieno d'acqua.
- Se la pressione di rete è superiore a 6,5 bar, accertarsi di utilizzare un regolatore di pressione.

## 1.2 Sicurezza elettrica

- Non deve mai essere collegato tramite una prolunga o più spine. Il dispositivo deve essere collegato al cablaggio fisso.
- La tensione di funzionamento del dispositivo è di 230 V.

- Accertarsi che la tensione di rete dell'impianto elettrico sia adatta alla tensione di funzionamento dell'apparecchio di 230V - 50 Hz.
- Il dispositivo deve essere dotato di messa a terra.
- Verificare che la linea di alimentazione del dispositivo sia conforme alla corrente di funzionamento del dispositivo indicata sull'etichetta del dispositivo.

## 1.3 Sicurezza del prodotto

- Non usare mai l'apparecchio vicino oppure su ambienti o materiali infiammabili o combustibili.
- Non mettere in funzione il dispositivo fino a che non sarà completamente riempito d'acqua. Far funzionare il dispositivo quando è vuoto può danneggiare lo scaldacqua. Fate in modo di evitare questa situazione.

## 1 Importanti istruzioni di sicurezza e ambientali

- Consigliamo di sostituire ogni 2 anni la barra dell'anodo di magnesio, che protegge il serbatoio del dispositivo dalla perforazione, in linea con la durezza dell'acqua utilizzata e con il modo in cui viene utilizzata. Se necessario, l'anodo deve essere sostituito.
- Il tubo di scarico deve essere sempre posizionato verso il basso e installato in un ambiente non congelante.
- L'uscita di scarico della valvola di sicurezza deve essere collegata a un'uscita d'acqua adatta.
- L'uscita di scarico della valvola di sicurezza non deve mai essere chiusa, deve essere tenuta aperta in modo che possa scaricare l'acqua. Il tubo fornito in dotazione, inoltre, deve essere collegato all'uscita dell'acqua.
- Non utilizzare l'apparecchiatura per scopi diversi rispetto a quelli per cui è stata progettata.
- Non utilizzare il dispositivo come fonte di calore.

### 1.5 Sicurezza dei bambini

- Consigliamo di prestare molta attenzione quando si usa il dispositivo vicino a bambini e persone con capacità fisiche, emotive o mentali limitate.
- Sorvegliare i bambini per evitare che giochino con l'apparecchiatura. Questo apparecchio può essere utilizzato da bambini dagli 8 anni in su e da persone con ridotte capacità fisiche, sensoriali o mentali o con mancanza di esperienza e conoscenze, se sotto supervisione o se hanno ricevuto istruzioni sull'uso dell'apparecchio in modo sicuro e ne comprendono i pericoli. I bambini non devono giocare con l'apparecchio. La pulizia e la manutenzione dell'apparecchio non devono essere effettuate da bambini non sorvegliati.

### 1.4 Uso previsto

- L'apparecchiatura è destinata esclusivamente a un uso domestico. L'apparecchiatura non è adatta a un uso professionale.

# 1 Importanti istruzioni di sicurezza e ambientali

- Rischio di soffocamento! Tenere tutti i materiali di imballaggio fuori dalla portata dei bambini.
- Assicurarsi che l'apparecchio sia tenuto fuori dalla portata dei bambini.

## 1.6 Conformità alla direttiva WEEE e smaltimento dei rifiuti:

Questo prodotto è conforme alla direttiva europea WEEE (2012/19/EU) WEEE Regulations (S.I.2013/3113 e relativi emendamenti). Questo prodotto ha un simbolo di classificazione per i rifiuti di apparecchiature elettriche ed elettroniche (WEEE).



Il simbolo indica che, al termine della sua vita utile, questo prodotto non dovrà essere smaltito insieme ad altri rifiuti domestici. Il dispositivo da smaltire deve essere restituito al punto di raccolta

ufficiale per il riciclaggio dei dispositivi elettrici ed elettronici. Per trovare questi punti di raccolta, contattare le autorità locali o il rivenditore presso il quale il prodotto è stato acquistato. Ogni famiglia svolge un ruolo importante nel recupero e nel riciclaggio della vecchia apparecchiatura. Uno smaltimento appropriato delle apparecchiature usate aiuta a prevenire potenziali conseguenze negative per l'ambiente e la salute umana.

## 1.7 Conformità con la direttiva RoHS

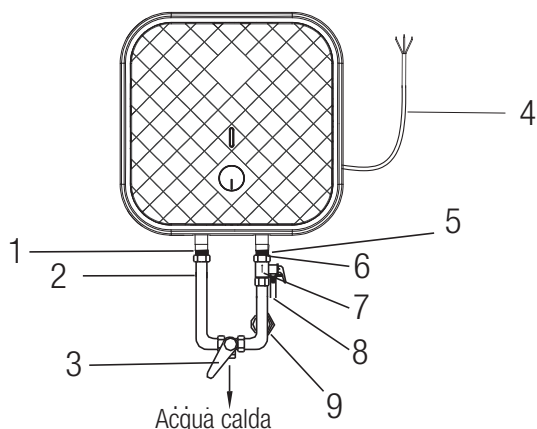
Il prodotto acquistato è conforme alla direttiva RoHS dell'UE (2011/65/UE) e alla direttiva RoHS 2012 del Regno Unito. Non contiene i materiali nocivi e vietati indicati nella direttiva.

## 1.8 Informazioni sulla confezione



I materiali che compongono l'imballaggio del prodotto sono realizzati a partire da materiali riciclabili in conformità con le nostre Normative Ambientali Nazionali. Non smaltire i materiali dell'imballaggio congiuntamente ai rifiuti domestici o ad altri rifiuti. Portarli presso i punti di raccolta imballaggi indicati dalle autorità locali.

## 2 Panoramica



### 2.1 Controlli e componenti

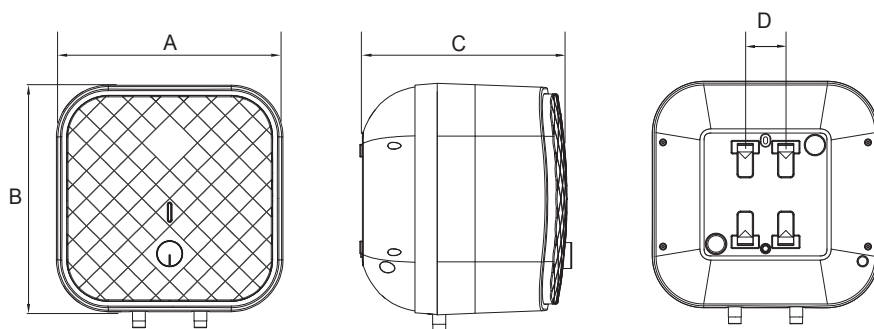
1. Guarnizioni di tenuta in gomma
2. Uscita acqua calda
3. Maniglia di regolazione della valvola di miscelazione
4. Cavo di alimentazione
5. Guarnizioni di tenuta in gomma
6. Ingresso acqua fredda
7. Valvola di scarico della pressione
8. Foro di rilascio della pressione
9. Vite di giunzione per l'ingresso dell'acqua fredda

### 2.2 Sezione tecnica

Modello	GWH 10L	GWH 15L	GWH 30L
<b>Tensione/Frequenza</b>	220-240V, 50/60Hz	220-240V, 50/60Hz	220-240V, 50/60Hz
<b>Potenza nominale</b>	1500W	1500W	1500W
<b>Protezione dalle scosse elettriche</b>	Classe I	Classe I	Classe I
<b>Pressione nominale</b>	0.75 Mpa	0.75 Mpa	0.75 Mpa
<b>Classificazione: Impermeabile</b>	IPX4	IPX4	IPX4
<b>Capacità nominale</b>	10.0L	15.0L	29,0 L
<b>Dimensioni del prodotto</b>	324*324*315	368*368*340	440*440*420
<b>Peso netto (kg)</b>	7,3	8,8	14,1
<b>Peso lordo (kg)</b>	8,8	11,2	16,0

## 2 Panoramica

### 2.3 Breve introduzione della struttura del prodotto

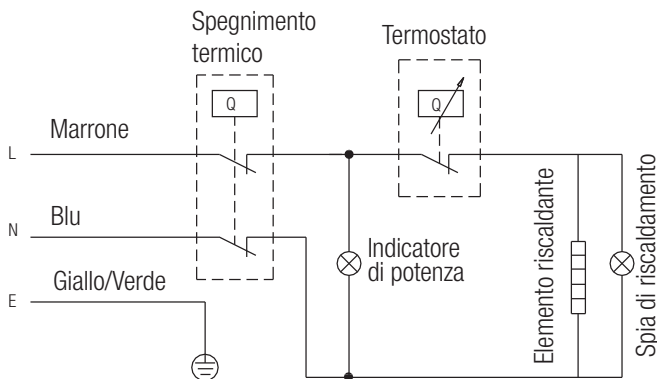


Modello	GWH 10 L	GWH 15 L	GWH 30 L
A	324	368	440
B	324	368	440
C	315	340	388
D	66	66	66

(Tutte le dimensioni sono espresse in mm)

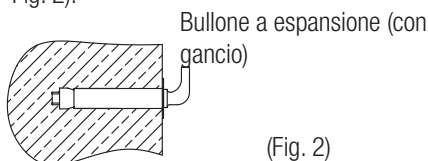
## 3 Installazione

### 3.1 Schema dei fili interni



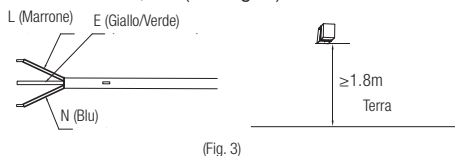
### 3.2 Istruzioni per l'installazione

1. Questo scaldabagno elettrico deve essere installato su una parete solida. Se la forza del muro non è in grado di sopportare il carico pari a due volte il peso totale del riscaldatore riempito completamente d'acqua, sarà necessario installare un supporto speciale. Nel caso di un muro di mattoni cavi, accertarsi di riempirlo completamente con cemento armato.
2. Dopo aver selezionato una posizione adeguata, determinare le posizioni dei due fori di installazione utilizzati per i bulloni di espansione con gancio (200mm), eseguire due fori nel muro con la profondità corrispondente utilizzando un bit di taglio con la dimensione corrispondente ai bulloni di espansione collegati con la macchina, inserire le viti, fissare il gancio verso l'alto, serrare i dadi per fissare saldamente, e poi appendere il riscaldatore di acqua elettrico su di esso (cfr. Fig. 2).



(Fig. 2)

3. Installare la presa di alimentazione a parete. I requisiti per la presa sono i seguenti: 250V/10A, monofase, tre elettrodi. Consigliamo di posizionare la presa a destra, sopra al riscaldatore. L'altezza della presa a terra non deve essere inferiore a 1,8m (cfr. Fig. 3).



(Fig. 3)

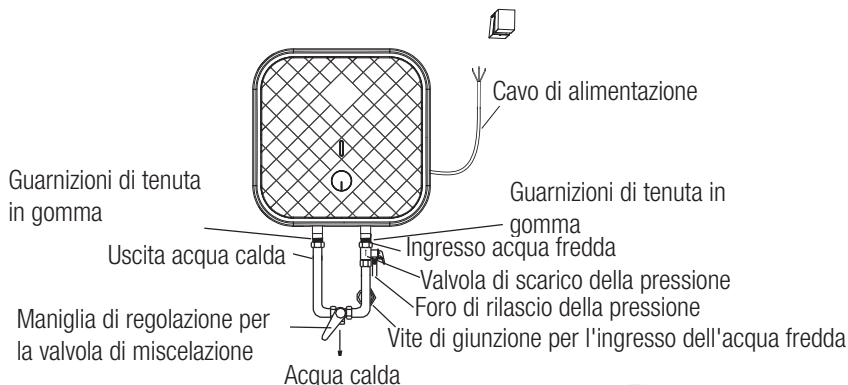
4. Se il bagno è troppo piccolo, il riscaldatore può essere installato in un'altra ubicazione. Tuttavia, al fine di ridurre al minimo la dispersione termica causata dalla lunga condotta, si consiglia di installare lo scaldabagno il più vicino possibile al punto di scarico.

### 3.3 Connessione delle condutture

1. La dimensione di ogni parte del tubo è G1/2"; La pressione massiccia di entrata dovrebbe usare Pa come unità; La pressione minima di entrata dovrebbe usare Pa come unità.

### 3 Installazione

2. Collegamento della valvola di scarico della pressione con il riscaldatore sull'ingresso del riscaldatore d'acqua.
3. Per evitare perdite quando si collegano le tubazioni, le guarnizioni di gomma fornite con il riscaldatore devono essere aggiunte all'estremità dei filetti per garantire giunti a prova di perdite (cfr. Fig. 4).

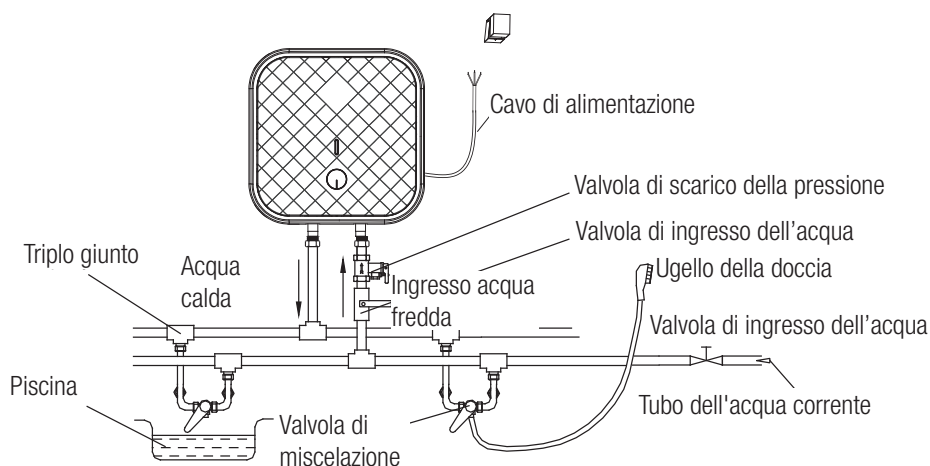


(Fig. 4)

4. Se gli utenti vogliono realizzare un sistema di alimentazione a più vie, invitiamo a fare riferimento al metodo illustrato nella Fig. 5 per il collegamento delle tubazioni.



### 3 Installazione



(Fig. 5)



Accertarsi di utilizzare gli accessori forniti dalla nostra azienda per installare questo scaldabagno elettrico. Questo scaldabagno elettrico non può essere appeso al supporto finché non è stato confermato che è solido e affidabile. In caso contrario, lo scaldabagno elettrico potrebbe staccarsi dal muro, con conseguenti danni allo scaldabagno e persino gravi incidenti e lesioni. Nel determinare le posizioni dei fori per i bulloni sarà opportuno assicurarsi che ci sia uno spazio libero non inferiore a 0,2m sul lato destro del riscaldatore elettrico, al fine di facilitare - ove necessario - la manutenzione del riscaldatore.

## 4 Funzionamento

Aprire prima una qualsiasi delle valvole di uscita all'uscita dello scaldabagno, quindi aprire la valvola di ingresso. Lo scaldabagno si riempie d'acqua. Quando l'acqua esce dal tubo di uscita, significa che il riscaldatore è stato riempito completamente d'acqua e la valvola di uscita può essere chiusa.



Durante il funzionamento normale, la valvola d'ingresso deve essere sempre tenuta aperta.

2. In uno stato di accensione, la macchina sta riscaldando quando la spia è blu. La spia si spegne quando il processo di riscaldamento è finito, nello stato di isolamento.

- Inserire la spina di alimentazione nella presa.
- Se l'indicatore si accende, il termostato controllerà automaticamente la temperatura. Quando la temperatura dell'acqua all'interno del riscaldatore ha raggiunto la temperatura impostata, si spegne automaticamente, quando la temperatura dell'acqua scende al di sotto del punto impostato il riscaldatore si accende automaticamente per ripristinare il riscaldamento.



1. Ruotare la manopola secondo la marcatura sulla manopola per aumentare o ridurre la temperatura di impostazione. In modalità bassa, la temperatura di impostazione è di circa 30C°; in modalità alta, la temperatura di impostazione è di circa 75C°; in modalità Mid, la temperatura di impostazione è di circa 55C°.

## 5 Pulizia e manutenzione

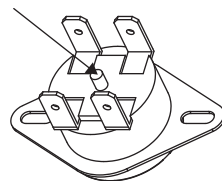


**ATTENZIONE!** Interrompere l'alimentazione prima della manutenzione, per evitare pericoli come la scossa elettrica.

- Verificare spesso la spina e la presa di corrente. Fissare un contatto elettrico sicuro e anche una messa a terra adeguata. La spina e la presa non devono scaldarsi eccessivamente.
- Se il riscaldatore non viene usato per lunghi periodi di tempo, in particolar modo in regioni con bassa temperatura dell'aria (al di sotto 0°C), è necessario scaricare l'acqua dal riscaldatore per evitare danni al riscaldatore, a causa del congelamento dell'acqua nel serbatoio interno (cfr. le precauzioni in questo manuale per il metodo di scarico dell'acqua dal contenitore interno).
- Al fine di garantire un funzionamento dello scaldabagno lungo e affidabile al tempo stesso, consigliamo di pulire regolarmente il serbatoio interno e di rimuovere i depositi sull'elemento riscaldante elettrico dello scaldabagno, così come controllare lo stato (completamente decomposto o meno) dell'anodo di magnesio e, se necessario, sostituirlo con uno nuovo in caso di decomposizione completa. La frequenza di pulizia del serbatoio dipende dalla durezza dell'acqua situata in questo territorio. La pulizia deve essere eseguita da servizi di manutenzione speciali. Invitiamo a chiedere al venditore l'indirizzo del centro assistenza più vicino.
- Lo scaldabagno è dotato di un interruttore termico che interrompe l'alimentazione dell'elemento riscaldante in caso di surriscaldamento dell'acqua o della sua assenza nello scaldabagno. Se lo scaldabagno è collegato alla rete, ma l'acqua non viene riscaldata e l'indicatore non si accende, allora l'interruttore termico era spento o non acceso. Per riportare lo scaldabagno alla condizione di funzionamento, è necessario:

1. Togliere la tensione allo scaldabagno, rimuovere la piastra del coperchio laterale/inferiore.
2. Premere il pulsante situato al centro dell'interruttore termico, cfr. Fig. 7;
3. Se il pulsante non è premuto e non si sente nessun clic, sarà necessario aspettare che l'interruttore termico si raffreddi fino alla temperatura iniziale.

Pulsante di reset manuale



(Fig. 7)



**ATTENZIONE!** I non professionisti non sono autorizzati a smontare l'interruttore termico per resettarlo. Si prega di rivolgersi ai professionisti per eseguire eventuali interventi di manutenzione. In caso contrario, la nostra azienda non si assume la responsabilità se si verifica un incidente di qualità a causa di questo.

## 6 Guida alla risoluzione dei problemi

Guasti	Motivi	Trattamento
La spia del riscaldamento è spenta.	Guasti del regolatore di temperatura.	Rivolgersi a personale professionale per eseguire gli interventi di riparazione.
Non esce acqua dall'uscita dell'acqua calda.	<ol style="list-style-type: none"><li>1. La fornitura di acqua corrente viene interrotta.</li><li>2. La pressione idraulica è troppo bassa.</li><li>3. La valvola di entrata dell'acqua corrente non è aperta.</li></ol>	<ol style="list-style-type: none"><li>1. Attendere il ripristino della fornitura di acqua corrente.</li><li>2. Utilizzare nuovamente il riscaldatore quando la pressione idraulica è aumentata.</li><li>3. Aprire la valvola di ingresso dell'acqua corrente.</li></ol>
La temperatura dell'acqua è troppo alta.	Guasti al sistema di controllo della temperatura.	Rivolgersi a personale professionale per eseguire gli interventi di riparazione.
Perdita d'acqua	Sigillare il problema del giunto di ogni tubo.	Sigillare i giunti.



Le parti illustrate in questo manuale di uso e manutenzione sono unicamente a scopo indicativo, le componenti fornite in dotazione con il prodotto possono differire rispetto alle illustrazioni. Le specifiche sono soggette a modifiche senza preavviso.

# GRUNDIG

## CERTIFICATO DI GARANZIA

La presente garanzia commerciale si intende aggiuntiva e non sostitutiva di ogni altro diritto di cui gode il consumatore, intendendo per consumatore esclusivamente colui che utilizza il bene per scopi estranei all'attività imprenditoriale o professionale eventualmente svolta e pertanto per uso domestico/privato, e in particolare non pregiudica in alcun modo i diritti del consumatore stabiliti dal Dlgs 206/05. BEKO Italy S.r.l. in conformità alla facoltà prevista dalla legge, offre al consumatore una garanzia commerciale aggiuntiva, nei termini e nei modi di seguito indicati. Questo certificato non deve essere spedito per la convalida. E' valido e operante solo se conservato assieme alla ricevuta fiscale o altro documento reso fiscalmente obbligatorio.

### Condizioni di Garanzia

1. BEKO Italy S.r.l. garantisce l'apparecchio per un periodo di 2 anni dalla data di acquisto (12 mesi se acquistato con fattura di vendita e non con scontrino fiscale).
2. La garanzia è valida esclusivamente sul territorio italiano compresa la Repubblica di San Marino e la città del Vaticano e deve essere comprovata da scontrino fiscale o fattura, che riporti il nominativo del Rivenditore, la data di acquisto dell'apparecchio nonché gli estremi identificativi dello stesso (tipo, modello).
3. Per garanzia s'intende la sostituzione o riparazione gratuita delle parti componenti l'apparecchio che sono risultate difettose all'origine, per vizi di fabbricazione.
4. L'utente decade dai diritti di garanzia se non denuncia il difetto di conformità entro 2 mesi dalla scoperta dello stesso.
5. Manodopera e ricambi gratuiti per i 24 mesi del periodo di garanzia.
6. L'intervento di riparazione viene effettuato a domicilio dell'utente, fatto salvo i casi d'impossibilità oggettiva o di forza maggiore.
7. La riparazione o sostituzione dei componenti o dell'apparecchio stesso, non estendono la durata della garanzia.
8. Manopole, lampade, part in vetro e in plastica, tubazioni e accessori così come tutte le parti asportari e tutte le parti estetiche, non sono coperte da garanzia.
9. Tutti i materiali soggetti ad usura (guarnizioni in gomma, cinghie, manicotti ecc.) non sono coperti da garanzia a meno che venga dimostrata la difettosità risalente a vizio di fabbricazione delle stesse.
10. La BEKO Italy S.r.l. declina ogni responsabilità per eventuali danni che possano derivare, direttamente od indirettamente, a persone e cose come conseguenza del mancato rispetto delle istruzioni tutte, incluse nell'apposito Manuale per l'uso dell'apparecchio allegato a ciascuno apparecchio, da parte dell'utente ed in particolar modo per quanto concerne le avvertenze relative alla installazione, all'uso ed alla manutenzione dell'apparecchio stesso.
11. La garanzia non diventa operante e l'assistenza sarà effettuata totalmente a pagamento nei seguenti casi:
  - a. Danni dovuti al trasporto o alla movimentazione delle merci.
  - b. Interventi di installazione e montaggio, così come l'errata connessione o errata erogazione dalle reti di alimentazione, mancanza di allacciamento alla presa di terra, e tutte le eventuali regolazioni come la registrazione delle porte nei frigoriferi e/o l'inversione dell'apertura, livellamento prodotti, eliminazione staffe fissaggio vasca, la sostituzione degli ugelli e la regolazione del minimo su cucine e piani cottura.
  - c. Installazione errata, imperfetta o incompleta, per incapacità d'uso da parte dell'Utente o dell'installatore, se mancano gli spazi necessari ad operare attorno ai prodotti, per eccessiva o scarsa temperatura dell'ambiente.
  - d. Interventi nei quali non è stato riscontrato il difetto lamentato, o per generici problemi di funzionamento causati da errata impressione del cliente (problemi di asciugatura, rumorosità, difetti di lavaggio, eccessiva formazione di schiuma, di centrifuga, di raffreddamento, di riscaldamento, ecc.).
  - e. Interventi su prodotti installati ad oltre mt. 2,50 da un piano di lavoro stabile, o in posizioni disagiate e pericolose (tetti ecc.) che non possano quindi garantire l'incolumità dell'operatore come stabilito dalla legge 626-94 relativa alla sicurezza sul lavoro.
  - f. Danni causati da agenti atmosferici (fulmini, terremoti, incendi, alluvioni, ecc.)
  - g. Se il numero di matricola risulta asportato, cancellato o manomesso.
  - h. Riparazioni, modifiche o manomissioni effettuate da persone non autorizzate dal produttore o comunque per cause non dipendenti dal prodotto. Per guasti dovuti a mancanza di regolare manutenzione (pulizia batterie condensanti, fori di drenaggio acqua di condensa, filtri scarico ed entrata acqua, eliminazione corpi estranei ecc.).
  - i. Mancanza dei documenti fiscali o se gli stessi risultano contraffatti o non inerenti al prodotto.
  - j. L'uso improprio dell'apparecchio, non di tipo domestico o diverso da quanto stabilito dal produttore, fa decadere il diritto alla Garanzia.
  - k. Per tutte le circostanze esterne che non siano riconducibili a difetti di fabbricazione dell'elettrodomestico.
  - l. Si intendono a pagamento anche tutti gli eventuali trasporti necessari per lo svolgimento degli interventi legati ai casi citati.

Il Servizio Assistenza di BEKO Italy S.r.l. è l'unico autorizzato a riparare i prodotti a marchio BEKO. Per ogni controversia è competente il foro di Milano. Durante e dopo il periodo di garanzia, vi consigliamo di rivolgervi sempre ai nostri centri di assistenza autorizzati. Per contattare il Centro di Assistenza Tecnica Autorizzato operante nella sua zona chiami il numero unico per l'Italia:

## 02.06.06

Prima di contattare l'assistenza tecnica, al fine di agevolare la gestione della chiamata, è necessario avere a portata di mano il modello del prodotto e il documento fiscale di acquisto.

## **Veillez d'abord lire ce manuel d'utilisation !**

Chère cliente, cher client,

Merci de préférer cet appareil Grundig. Nous espérons que vous êtes entièrement satisfait de votre produit fabriqué avec des matériaux de qualité supérieure couplés à une technologie de pointe. Pour cette raison, lisez attentivement ce manuel d'utilisation et tous les autres documents qui l'accompagnent avant d'utiliser l'appareil et conservez-le comme référence pour une utilisation future. Si vous donnez l'appareil à quelqu'un d'autre, donnez-lui également le manuel d'utilisation. Suivez les instructions en faisant attention à toutes les informations et avertissements figurant dans le manuel d'utilisation.

N'oubliez pas que ce manuel d'utilisation s'applique également à d'autres modèles d'appareils. Les différences entre les modèles sont explicitement décrites dans le manuel.

## **Signification des symboles**

Les symboles suivants sont utilisés dans les différentes sections de ce manuel:

	Informations importantes et consignes utiles relatives à l'utilisation.
--	---

	<b>AVERTISSEMENT :</b> Avertissements contre les situations dangereuses concernant la sécurité de la vie et des biens.
--	--



Cet appareil a été fabriqué dans des usines modernes respectueuses de l'environnement.

# 1 Instructions importantes en matière de sécurité et d'environnement

Cette section comprend des instructions de sécurité qui permettront de garantir la protection contre les risques de blessures corporelles ou de dommages matériels. Le non-respect de ces instructions annule la garantie.

## 1.1 Sécurité générale

- L'Installation et l'Entretien doivent être effectués par un Service Agréé par Grundig.
- Utilisez uniquement les pièces d'origine ou celles recommandées par le fabricant.
- Nettoyez toutes les pièces avant d'utiliser l'appareil pour la première fois. Veuillez vous reporter aux détails de la section "Nettoyage et Entretien".
- Les appareils de chauffage endommagés par l'entartrage et le fonctionnement sans eau ne sont pas couverts par la garantie.
- La soupape de sécurité ne doit jamais être démontée, bloquée (le tuyau de décharge de la soupape de sécurité doit toujours rester ouvert et ne jamais être fermé), l'installation doit être effectuée par un personnel de service autorisé.
- Les réglages de la soupape de sécurité ont été effectués par le fabricant. Ne retirez jamais la soupape de sécurité de l'appareil et ne modifiez pas son réglage.
- L'eau s'écoulera de la soupape de sécurité pour des raisons de sécurité à des pressions d'eau élevées, ce qui n'est pas une défaillance, mais est requis par la norme de sécurité.
- Ne changez jamais la soupape de sécurité fournie avec votre appareil.
- La soupape de sécurité doit être protégée contre la calcification. Le fabricant ne peut être tenu responsable des dysfonctionnements ou des accidents causés par la calcification.

# 1 Instructions importantes en matière de sécurité et d'environnement

Il est recommandé de faire réviser votre appareil et votre équipement chaque année.

- Le tuyau de décharge de la soupape de sécurité doit toujours être maintenu ouvert et ne doit jamais être fermé.
- Après l'installation de l'appareil, ouvrez le robinet d'eau chaude afin que l'appareil soit rempli d'eau. Lorsque l'eau commence à couler du robinet d'eau chaude, cela signifie que le réservoir de l'appareil est rempli d'eau.
- Si la pression du réseau est supérieure à 6,5 bars, veuillez à utiliser un régulateur de pression.

## 1.2 Sécurité électrique

- Il ne doit jamais être connecté via une rallonge ou des prises multiples. L'appareil doit être connecté au câblage fixe.
- La tension de fonctionnement de l'appareil est de 230 V.

- Assurez-vous que la tension du réseau de votre installation électrique est adaptée à la tension de fonctionnement de l'appareil, soit 230V - 50 Hz.
- L'appareil doit être mis à la terre.
- Vérifiez que la ligne d'alimentation de l'appareil soit conforme au courant de fonctionnement de l'appareil indiqué sur l'étiquette de l'appareil.

## 1.3 Sécurité du produit

- N'utilisez jamais l'appareil à proximité ou sur des environnements ou des matériaux inflammables ou combustibles.
- Ne faites pas fonctionner votre appareil tant qu'il n'est pas complètement rempli d'eau. Faites fonctionner votre appareil alors qu'il est vide peut endommager le chauffage. Assurez-vous d'éviter cette situation.



# 1 Instructions importantes en matière de sécurité et d'environnement

- Il est recommandé de remplacer la barre d'anode de magnésium, qui protège le réservoir de votre appareil contre les perforations, tous les 2 ans, en fonction de la dureté de l'eau utilisée et de la manière dont il est utilisé. Si nécessaire, l'anode doit être remplacée.
- Le Tuyau de Drainage doit être positionné vers le bas en permanence et installé dans un environnement sans risque de gel.
- La sortie de drainage de la soupape de sécurité doit être connectée à une sortie d'eau appropriée.
- La sortie de drainage de la soupape de sécurité ne doit jamais être fermée, elle doit être maintenue ouverte afin de pouvoir évacuer l'eau et le tuyau fourni doit être fixé à la sortie d'eau.
- N'utilisez pas l'appareil à d'autres fins que celles pour lesquelles il a été conçu.
- N'utilisez pas l'appareil comme source de chaleur.

## 1.5 Sécurité enfants

- Il est recommandé d'être extrêmement prudent lors de l'utilisation de l'appareil à proximité d'enfants et de personnes dont les capacités physiques, émotionnelles ou mentales sont limitées.
  - Les enfants doivent être surveillés pour s'assurer qu'ils ne jouent pas avec l'appareil. Cet appareil peut être utilisé par des enfants âgés de 8 ans et plus et des personnes ayant des capacités physiques, sensorielles ou mentales réduites ou un manque d'expérience et de connaissances s'ils ont reçu une supervision ou des instructions concernant l'utilisation de l'appareil de manière sûre et comprennent les dangers impliqués.
- 1.4 Utilisation prévue**
- L'appareil est adapté uniquement à un usage domestique. L'appareil ne convient pas à un usage professionnel.

# 1 Instructions importantes en matière de sécurité et d'environnement

Les enfants ne doivent pas jouer avec l'appareil. Le nettoyage et l'entretien par l'utilisateur ne doivent pas être effectués par des enfants sans supervision.

- Risque d'étouffement ! Gardez tous les matériaux d'emballage hors de portée des enfants.
- Veillez à ce que l'appareil soit tenu hors de la portée des enfants.

## 1.6 Conformité avec la directive WEEE et élimination des déchets :

Ce produit est conforme à la Directive Européenne WEEE (2012/19/EU) et aux Règlements WEEE (S.I.2013/3113 et ses amendements). Ce produit porte un symbole de classification pour les déchets d'équipements électriques et électroniques (WEEE).



Ce symbole indique que cet appareil ne doit pas être mis au rebut avec les ordures ménagères à la fin de sa durée de vie. Les appareils usagés doivent être retournés au point de collecte officiel pour le recyclage des dispositifs électriques et électroniques. Pour trouver ces systèmes de collecte, veuillez contacter les autorités locales ou le détaillant où le produit a été acheté. Chaque foyer joue un rôle important dans la récupération et le recyclage des vieux appareils. La mise au rebut appropriée des appareils usagés permet de prévenir les conséquences négatives potentielles pour l'environnement et la santé humaine.

## 1.7 Conformité avec la Directive RoHS

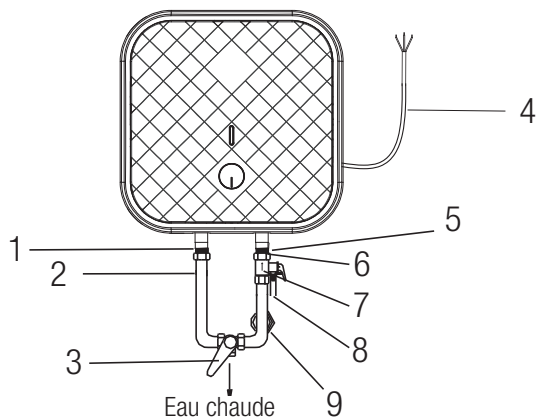
Le produit que vous avez acheté est conforme à la Directive Européenne RoHS (2011/65/EU) et à la Directive Britannique RoHS 2012. Il ne comporte pas de matériaux dangereux et interdits mentionnés dans la directive.

## 1.8 Informations relatives à l'emballage



Les matériaux d'emballage de cet appareil sont fabriqués à partir de matériaux recyclables, conformément à nos réglementations nationales en matière d'environnement. Ne mettez pas les matériaux d'emballage au rebut avec les ordures ménagères et d'autres déchets. Apportez-les aux points de collecte des matériaux d'emballage désignés par les autorités locales.

## 2 Aperçu Général



### 2.1 Commandes et pièces

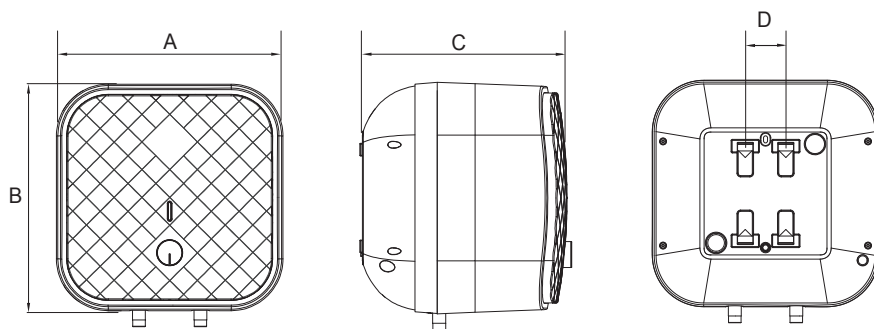
1. Joints d'étanchéité en caoutchouc
2. Sortie d'eau chaude
3. Poignée de réglage pour vanne de mélange
4. Cordon d'alimentation
5. Joints d'étanchéité en caoutchouc
6. Entrée d'eau froide
7. Soupape de surpression
8. Trou de dégagement de pression
9. Vis de joint pour l'entrée d'eau froide

### 2.2 Pièce technique

Modèle	GWH 10L	GWH 15L	GWH 30L
Tension/Fréquence	220-240V, 50/60Hz	220-240V, 50/60Hz	220-240V, 50/60Hz
Puissance nominale	1500W	1500W	1500W
Protection Contre les Électrocutions	Classe I	Classe I	Classe I
Pression Nominale	0.75 Mpa	0.75 Mpa	0.75 Mpa
Rang Imperméable	IPX4	IPX4	IPX4
Capacité Nominale	10.0L	15.0L	29,0 L
Dimension du produit	324*324*315	368*368*340	440*440*420
Poids Net (Kg)	7.3	8.8	14.1
Poids brut (kg)	8.8	11.2	16.0

## 2 Aperçu Général

### 2.3 Brève présentation de la structure du produit

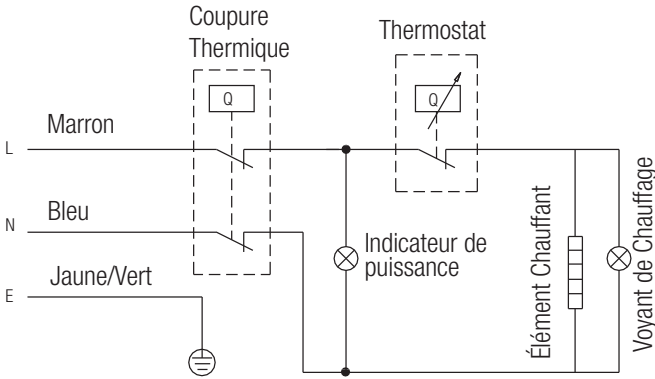


Modèle	GWH 10 L	GWH 15 L	GWH 30 L
A	324	368	440
B	324	368	440
C	315	340	388
D	66	66	66

(Toutes les dimensions sont en mm)

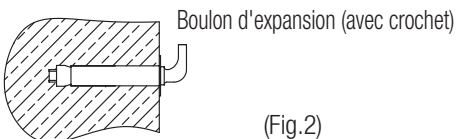
# 3 Installation

## 3.1 Schéma de câblage interne



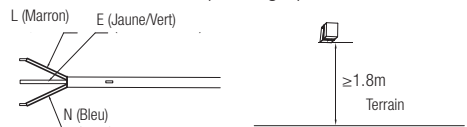
## 3.2 Instructions d'installation

1. Ce chauffe-eau électrique doit être installé sur un mur solide. Si la résistance du mur ne peut pas supporter une charge égale à deux fois le poids total du chauffe-eau rempli d'eau, il est alors nécessaire d'installer un support spécial. Dans le cas d'un mur en briques creuses, veillez à le remplir complètement de béton de ciment.
2. Après avoir choisi un emplacement approprié, déterminez la position des deux trous d'installation utilisés pour les boulons d'expansion avec crochet (200mm), Faites deux trous dans le mur avec la profondeur correspondante en utilisant une mèche à découper avec la taille correspondant aux boulons d'expansion attachés avec la machine, insérez les vis, faites le crochet vers le haut, serrez les écrous pour fixer fermement, et puis accrochez le chauffe-eau électrique sur lui (voir Fig.2).



(Fig.2)

3. Installez la prise d'alimentation dans le mur. Les conditions requises pour la prise sont les suivantes : 250V/10A, monophasé, trois électrodes. Il est recommandé de placer la prise à droite, au-dessus du chauffe-eau. La hauteur de la prise par rapport au sol ne doit pas être inférieure à 1,8 m (voir Fig.3).



(Fig.3)

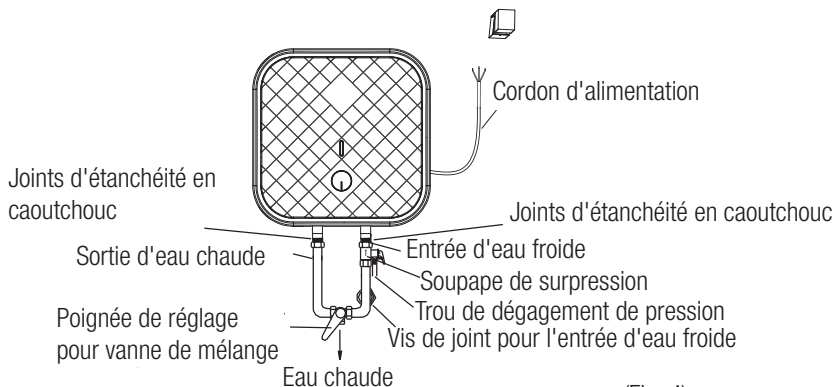
4. Si la salle de bains est trop petite, le chauffe-eau peut être installé à un autre endroit. Cependant, afin de minimiser la perte de chaleur causée par la longue canalisation, il est suggéré d'installer le chauffe-eau le plus près possible du point de sortie.

## 3.3 Raccordement des tuyaux

1. La dimension de chaque partie du tuyau est de G1/2" ; La pression massive de l'entrée doit utiliser l'unité Pa ; La pression minimale de l'entrée doit utiliser l'unité Pa.

### 3 Installation

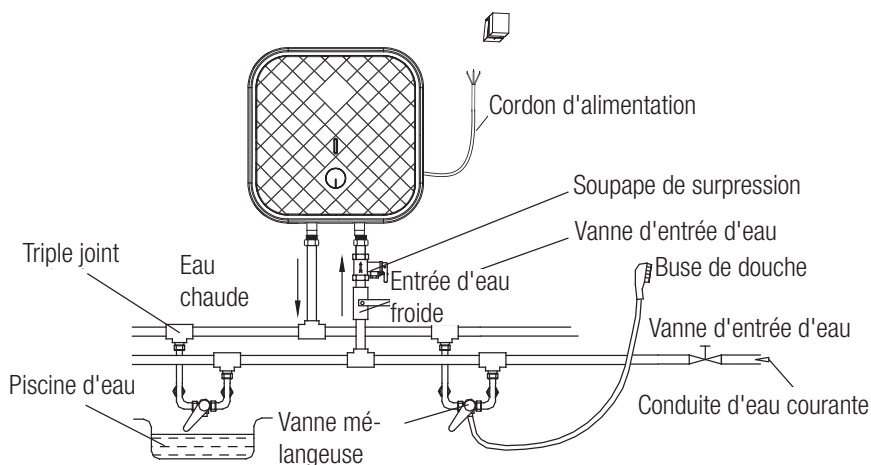
2. Raccordement de la soupape de surpression avec le chauffe-eau sur l'entrée du chauffe-eau.
3. Afin d'éviter les fuites lors du raccordement des canalisations, les joints d'étanchéité en caoutchouc fournis avec le chauffe-eau doivent être ajoutés à l'extrémité des filetages pour assurer des joints étanches (voir Fig.4).



(Fig. 4)

4. Si les utilisateurs veulent réaliser un système d'alimentation à plusieurs voies, se référer à la méthode illustrée à la Fig. 5 pour le raccordement des tuyaux.

### 3 Installation



(Fig.5)



Veillez à utiliser les accessoires fournis par notre société pour installer ce chauffe-eau électrique. Ce chauffe-eau électrique ne peut pas être accroché au support tant que sa solidité et sa fiabilité n'ont pas été confirmées. Sinon, le chauffe-eau électrique risque de se détacher du mur, ce qui pourrait endommager le chauffe-eau, voire provoquer des accidents graves ou des blessures. En déterminant l'emplacement des trous de boulons, il faut s'assurer qu'il y a un espace libre d'au moins 0,2 m sur le côté droit du chauffe-eau électrique, pour faciliter l'entretien du chauffe-eau, si nécessaire.

## 4 Fonctionnement

Tout d'abord, ouvrez l'une des vannes de sortie à la sortie du chauffe-eau, puis ouvrez la vanne d'entrée. Le chauffe-eau se remplit d'eau. Lorsque l'eau s'écoule par le tuyau de sortie, cela signifie que le chauffe-eau a été entièrement rempli d'eau et que la vanne de sortie peut être fermée.



En fonctionnement normal, la vanne d'entrée doit toujours être maintenue ouverte.

2. À l'état de marche, la machine est en train de chauffer lorsque le témoin lumineux est bleu. Le témoin lumineux s'éteint lorsque le processus de chauffage est terminé, à l'état d'isolation.

- Insérez la fiche d'alimentation dans la prise.
- Si l'indicateur s'allume, le thermostat contrôle automatiquement la température. Lorsque la température de l'eau à l'intérieur du chauffe-eau a atteint la température de consigne, il s'éteint automatiquement. Lorsque la température de l'eau descend en dessous du point de consigne, le chauffe-eau se rallume automatiquement pour rétablir le chauffage.



1. Tournez le bouton en fonction du marquage sur le bouton pour augmenter ou diminuer la température de réglage. En mode bas, la température de réglage est d'environ 30°C ; en mode haut, la température de réglage est d'environ 75°C ; en mode Eco, la température de réglage est d'environ 55°C.



## 5 Nettoyage et entretien

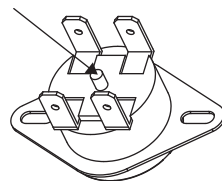


**ATTENTION !** Coupez l'alimentation électrique avant de procéder à l'entretien, afin d'éviter tout risque de choc électrique.

- Vérifiez la fiche et la prise de courant aussi souvent que possible. Un contact électrique sûr et une mise à la terre adéquate doivent être assurés. La fiche et la prise ne doivent pas chauffer excessivement.
- Si le chauffe-eau n'est pas utilisé pendant une longue période, en particulier dans les régions où la température de l'air est basse (inférieure à 0°C), il est nécessaire de vidanger l'eau du chauffe-eau pour éviter qu'il ne soit endommagé par le gel de l'eau dans le réservoir interne (voir les mises en garde dans ce manuel pour la méthode de vidange de l'eau du réservoir interne).
- Pour garantir un fonctionnement fiable et durable du chauffe-eau, il est recommandé de nettoyer régulièrement la cuve interne et d'éliminer les dépôts sur l'élément chauffant électrique du chauffe-eau, ainsi que de vérifier l'état (complètement décomposé ou non) de l'anode en magnésium et, si nécessaire, de la remplacer par une nouvelle en cas de décomposition complète. La fréquence de nettoyage de la cuve dépend de la dureté de l'eau située dans ce territoire. Le nettoyage doit être effectué par des services d'entretien spéciaux. Vous pouvez demander au vendeur l'adresse du centre de service le plus proche.
- Le chauffe-eau est équipé d'un interrupteur thermique, qui coupe l'alimentation de l'élément chauffant en cas de surchauffe de l'eau ou d'absence de celle-ci dans le chauffe-eau. Si le chauffe-eau est connecté au réseau, mais que l'eau n'est pas chauffée et que l'indicateur ne s'allume pas, c'est que l'interrupteur thermique a été désactivé ou n'a pas été mis en marche. Pour remettre le chauffe-eau en état de fonctionnement, il est nécessaire de :

1. Mettez le chauffe-eau hors tension, retirez la plaque du couvercle latéral/inférieur.
2. Appuyez sur le bouton, situé au centre de l'interrupteur thermique, voir Fig.7 ;
3. Si vous n'appuyez pas sur le bouton et qu'il n'y a pas de déclic, vous devez attendre que l'interrupteur thermique refroidisse jusqu'à la température initiale.

Bouton de réinitialisation manuelle



(Fig.7)



**ATTENTION!** Les non-professionnels ne sont pas autorisés à démonter l'interrupteur thermique pour le réinitialiser. Veuillez contacter les professionnels pour maintenir. Sinon, notre société ne sera pas responsable si un accident de qualité se produit à cause de cela.

## 6 Dépannage

Défauts	Raisons	Traitement
Le voyant de chauffage est éteint.	Défaillances du régulateur de température.	Contactez le personnel professionnel pour la réparation.
Aucune eau ne sort de la sortie d'eau chaude.	<ol style="list-style-type: none"><li>1. L'alimentation en eau courante est coupée.</li><li>2. La pression hydraulique est trop faible.</li><li>3. La valve d'entrée de l'eau courante n'est pas ouverte.</li></ol>	<ol style="list-style-type: none"><li>1. Attendez le rétablissement de l'alimentation en eau courante.</li><li>2. Utilisez à nouveau le chauffe-eau lorsque la pression hydraulique est augmentée.</li><li>3. Ouvrez la valve d'entrée de l'eau courante.</li></ol>
La température de l'eau est trop élevée.	Défaillances du système de contrôle de la température.	Contactez le personnel professionnel pour la réparation.
Fuite d'eau	Problème d'étanchéité du joint de chaque tuyau.	Scellez les joints.



Les pièces illustrées dans ce manuel d'utilisation et d'entretien ne sont qu'indicatives, les pièces fournies avec le produit peuvent différer des illustrations. Ce produit est destiné à un usage domestique uniquement. Les spécifications peuvent être modifiées sans préavis.

# ¡Lea este manual antes de utilizar el aparato!

Estimado cliente:

Gracias por elegir un producto Grundig. Esperamos que obtenga los mejores resultados de nuestro producto ya que ha sido fabricado con gran calidad y con tecnología de última generación. Por tanto, le aconsejamos que lea con atención este manual del usuario y todos los demás documentos adjuntos antes de utilizar el producto y que lo guarde para futuras consultas. Si va a entregar este producto a otra persona, proporciónese el manual del usuario también. Siga todas las advertencias e instrucciones incluidas en este manual.

## Significado de los símbolos

Los siguientes símbolos se usan en las diversas secciones del presente manual:



Información importante y consejos útiles sobre el uso.



**ADVERTENCIA:** Advertencias de situaciones peligrosas sobre la seguridad de las personas y la propiedad.



Este producto se ha fabricado en plantas de fabricación modernas y que hacen uso de procesos respetuosos con el medio ambiente.

Este aparato es conforme a la normativa sobre aparatos eléctricos y electrónicos y la gestión de sus residuos (RAEE).

No contiene PCB.

# 1 Instrucciones importantes sobre seguridad y medio ambiente

Esta sección contiene instrucciones de seguridad que le ayudarán a garantizar protegerse del riesgo de lesiones personales o daños materiales. El incumplimiento de estas instrucciones anulará garantía.

## 1.1 Seguridad general

- Instalación y Mantenimiento deben ser realizados por el Servicio Autorizado de Grundig.
- Utilice únicamente las piezas originales o las recomendadas por el fabricante.
- Antes de utilizar el dispositivo por primera vez limpie todas las piezas. Por favor, vea detalles en la sección de "Limpieza y mantenimiento".
- Los calefactores dañados por la calcificación y el funcionamiento sin agua no quedan incluidos en la garantía.
- Nunca se debe desmontar la válvula de seguridad, ni bloquearla (se debe mantener siempre abierta la tubería de descarga de la válvula de seguridad y nunca cerrarla), y la instalación debe ser realizada por personal de servicio autorizado.
- La válvula de seguridad ha sido ajustada por el fabricante. Nunca quite la válvula de seguridad del dispositivo y no cambie su ajuste.
- Por motivos de seguridad, el agua saldrá de la válvula de seguridad a altas presiones de agua; esto no es un fallo, pero es un requisito de la norma de seguridad.
- Nunca cambie la válvula de seguridad suministrada con su dispositivo.
- Es necesario proteger la válvula de seguridad contra la calcificación. El fabricante no se hace responsable de las averías o accidentes causados por la calcificación. Es aconsejable que el aparato y el equipo sean revisados cada año.

# 1 Instrucciones importantes sobre seguridad y medio ambiente

- Se debe mantener siempre abierta la tubería de descarga de la válvula de seguridad y nunca se debe cerrar.
- Tras la instalación del dispositivo, abra el grifo de agua caliente para que el dispositivo se llene de agua. Una vez que empiece a salir agua por el grifo de agua caliente, significa que el depósito del aparato está lleno de agua.
- Cuando la presión de la red sea superior a 6,5 bares, asegúrese de utilizar un regulador de presión.
- Asegúrese de que la tensión de red de su instalación eléctrica es adecuada para la tensión de servicio del dispositivo que es de 230 V - 50 Hz.
- El dispositivo debe estar conectado a tierra.
- Verifique que el cable de alimentación del aparato se adapta a la corriente de servicio del dispositivo especificada en la etiqueta del mismo.

## 1.2 Seguridad eléctrica

- No se debe conectar nunca mediante un cable de extensión o enchufes múltiples. El dispositivo se debe conectar al cableado fijo.
- La tensión de servicio del dispositivo es de 230 V.

## 1.3 Seguridad del producto

- Nunca utilice el aparato cerca o sobre ambientes o materiales inflamables o combustibles.
- No utilice el dispositivo hasta que esté completamente lleno de agua. Funcionar el dispositivo en vacío puede dañar el calentador. Asegúrese de evitar esta situación.

# 1 Instrucciones importantes sobre seguridad y medio ambiente

- Es aconsejable reemplazar la barra de ánodo de magnesio, que protege el tanque de su dispositivo de la perforación, en cada 2 años, dependiendo de la dureza del agua que se utiliza y la forma de uso. El ánodo se debe sustituir en caso necesario.
  - El tubo de drenaje debe estar siempre colocado hacia abajo e instalado en un entorno no congelado.
  - Es necesario conectar la salida de drenaje de la válvula de seguridad a una salida de agua adecuada.
  - La salida de drenaje de la válvula de seguridad nunca debe estar cerrada, debe mantenerse abierta para que pueda drenar el agua y la manguera suministrada debe estar conectada a la salida de agua.
- El aparato no es apropiado para uso profesional.
- No utilice el aparato para cualquier fin distinto de su uso previsto.
  - No utilice el aparato como fuente de calor.

## 1.5 Seguridad infantil

- Es aconsejable tener mucho cuidado al utilizar el aparato cerca de niños y personas con capacidad física, emocional o mental limitada.
- Debe vigilarse a los niños a fin de asegurarse que no jueguen con el aparato. Este aparato puede ser utilizado por niños de 8 años o más y las personas con una discapacidad física, sensorial o mental o falta de experiencia y conocimientos que hayan recibido supervisión o instrucciones relativas al uso del aparato de una manera segura y comprendan los riesgos involucrados. No deje que los niños jueguen con el aparato.

## 1.4 Uso previsto

- Este aparato está diseñado únicamente para su uso doméstico.

# 1 Instrucciones importantes sobre seguridad y medio ambiente

Los niños no deberán realizar la limpieza y el mantenimiento sin estar vigilados por parte de un adulto.

- ¡Riesgo de asfixia! Mantenga todos los materiales de embalaje fuera del alcance de los niños.
- Asegúrese de mantener el aparato fuera del alcance de los niños.

## 1.6 Cumplimiento de la Directiva WEEE y Eliminación del Producto de Desecho

Este producto cumple con la Directiva WEEE de la UE (2012/19/UE) Reglamentos WEEE (S.I.2013/3113 y sus enmiendas). Este producto tiene un símbolo de clasificación para residuos de equipos eléctricos y electrónicos (WEEE).



Este símbolo indica que este producto no debe desecharse junto con otros desechos domésticos al final de su vida útil. El dispositivo usado debe devolverse a un punto de recolección oficial para el reciclaje de dispositivos eléctricos y electrónicos. Para encontrar estos sistemas de recogida, por favor, póngase en contacto con las autoridades locales o con el distribuidor donde se compró el producto. Cada hogar desempeña un papel importante en la recuperación y reciclaje de electrodomésticos viejos.

La eliminación adecuada de los electrodomésticos usados ayuda a prevenir posibles consecuencias negativas para el medio ambiente y la salud humana.

## 1.7 Cumplimiento de la Directiva RoHS

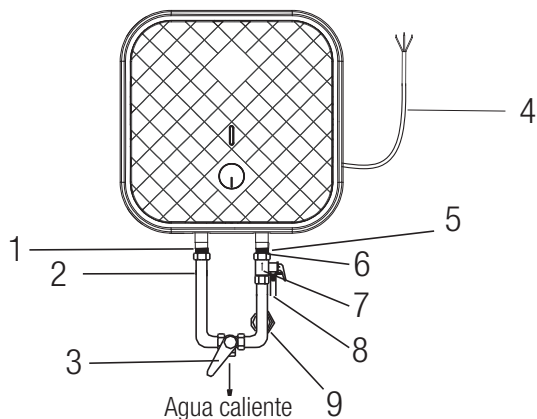
El producto que ha adquirido es conforme con la Directiva RoHS de UE sobre la restricción de sustancias peligrosas (2011/65/EU) y Directiva RoHS UK 2012. No contiene materiales nocivos y prohibidos especificados en la Directiva.

## 1.8 Información sobre el paquete



Los materiales de embalaje del producto se fabrican con materiales reciclables de acuerdo con nuestras Regulaciones Nacionales de Medio Ambiente. No se deshaga de los materiales de embalaje junto con los desechos domésticos o de otro tipo. Llévelos a los puntos de recolección de material de embalaje designados por las autoridades locales.

## 2 Descripción general



### 2.1 Controles y piezas

1. Juntas de estanqueidad de goma
2. Salida de agua caliente
3. Palanca de ajuste para la válvula mezcladora
4. Cable de corriente
5. Juntas de estanqueidad de goma
6. Entrada de agua fría
7. Válvula de descarga de presión
8. Agujero de descarga de presión
9. Tornillo de unión para entrada de agua fría

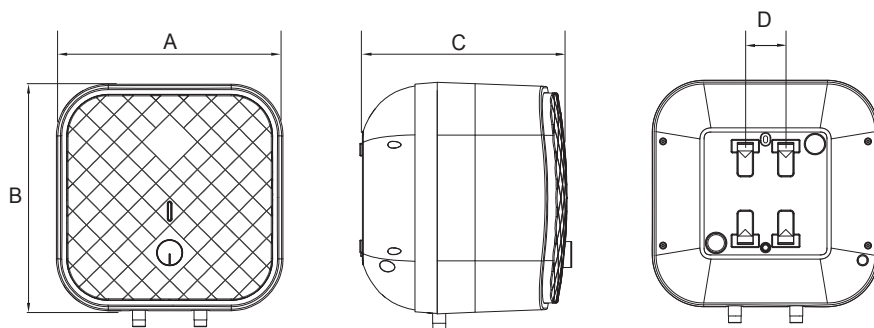
### 2.2 Pieza técnica

Modelo	GWH 10L	GWH 15L	GWH 30L
Tensión/Frecuencia	220-240V, 50/60Hz	220-240V, 50/60Hz	220-240V, 50/60Hz
Potencia nominal	1500W	1500W	1500W
Protección Contra Descargas Eléctricas	Clase I	Clase I	Clase I
Presión Nominal	0.75 Mpa	0.75 Mpa	0.75 Mpa
Rango de Impermeabilidad	IPX4	IPX4	IPX4
Capacidad Nominal	10.0L	15.0L	29,0 L
Dimensión del Producto :	324*324*315	368*368*340	440*440*420
Peso Neto (kg)	7.3	8.8	14.1
Peso Bruto (kg)	8.8	11.2	16.0



## 2 Descripción general

### 2.3 Introducción breve de la estructura del producto

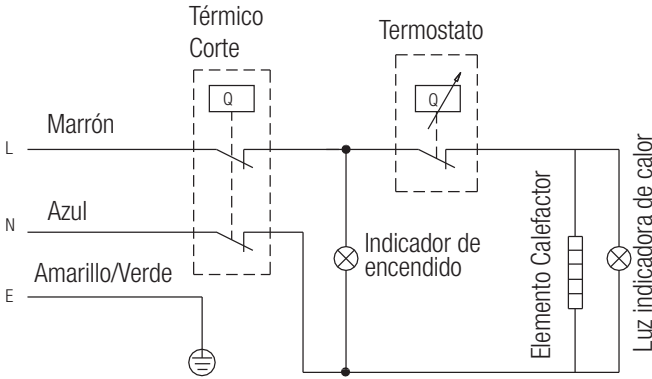


Modelo	GWH 10 L	GWH 15 L	GWH 30 L
A	324	368	440
B	324	368	440
C	315	340	388
D	66	66	66

(Todas dimensiones son en mm)

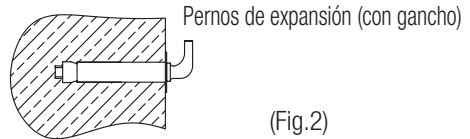
# 3 Instalación

## 3.1 Diagrama de cableado interno



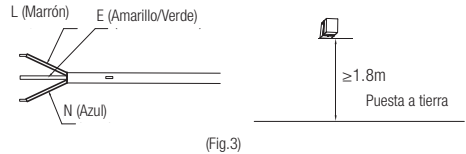
## 3.2 Instrucciones de instalación

1. Este calefactor de agua eléctrico se debe instalar en una pared sólida. En caso de que la resistencia de la pared no pueda soportar una carga igual a dos veces el peso total del calefactor lleno de agua, será necesario instalar un soporte especial. En caso de una pared de ladrillos huecos, asegúrese de rellenarla completamente con hormigón de cemento.
2. Tras seleccionar una ubicación adecuada, determine la posición de los dos agujeros de instalación utilizados para los pernos de expansión con gancho (200mm), perforo dos agujeros en la pared con la profundidad correspondiente utilizando una broca con el tamaño que coincida con los pernos de expansión fijados con la máquina, inserte los tornillos, ponga el gancho hacia arriba, apriete las tuercas para sujetar firmemente, y luego cuelgue el calentador de agua eléctrico en él (ver Fig.2).



(Fig.2)

3. Instale la toma de corriente en la pared. Los requisitos de la toma de corriente son los siguientes: 250V/10A, monofásico, tres electrodos. Es aconsejable colocar la toma de corriente a la derecha por encima del calefactor. La altura de la toma hasta el suelo no debe ser inferior a 1,8 m (véase la figura 3).



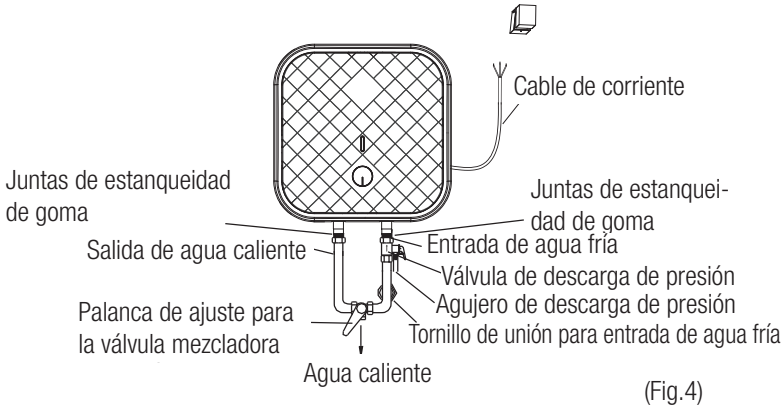
(Fig.3)

4. En caso de que el cuarto de baño sea muy pequeño, el calefactor puede instalarse en otro lugar. No obstante, se recomienda instalar el calentador de agua lo más cerca posible del punto de salida con el fin de minimizar la pérdida de calor causada por la larga tubería.

## 3 Instalación

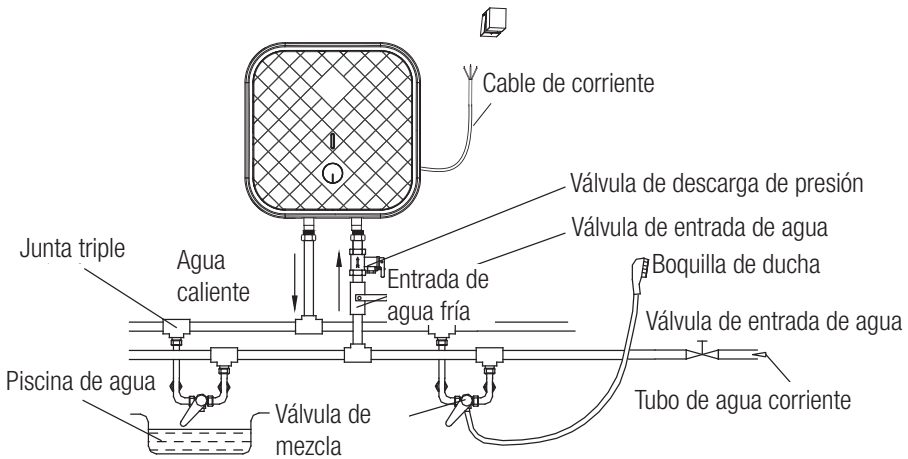
### 3.3 Conexión de las tuberías

1. La dimensión de cada parte de la tubería es de G1/2" ; La presión masiva de entrada debe utilizar Pa como unidad; La presión mínima de entrada debe utilizar Pa como unidad.
2. Conexión de la válvula de alivio de presión con el calefactor en la entrada del mismo.
3. Con el fin de evitar fugas en la conexión de las tuberías, es necesario añadir las juntas de goma suministradas con el calentador en el extremo de las roscas para garantizar uniones a prueba de fugas (véase la fig. 4).



4. En caso de que los usuarios deseen realizar un sistema de suministro de varias vías, consulte el método mostrado en la fig.5 para la conexión de las tuberías.

### 3 Instalación



(Fig.5)



Para instalar este calefactor eléctrico, asegúrese de utilizar los accesorios proporcionados por nuestra empresa. Este calefactor de agua eléctrico no se puede colgar en el soporte hasta que se haya confirmado que es firme y fiable. En caso contrario, el calefactor de agua eléctrico puede caerse de la pared, provocando daños en el calefactor, incluso accidentes graves de lesiones. Al determinar la ubicación de los agujeros para los tornillos, se debe asegurar que haya un espacio libre no inferior a 0,2 m en el lado derecho del calefactor eléctrico, para que sea conveniente el mantenimiento del calefactor, si es necesario.

## 4 Funcionamiento

Antes de todo, abra una de las válvulas de salida del calefactor de agua y, a continuación, abra la válvula de entrada. El calefactor se llena de agua. Cuando el agua sale por la tubería de salida significa que el calefactor se ha llenado completamente, y se puede cerrar la válvula de salida.



Es necesario mantener siempre abierta la válvula de entrada durante el funcionamiento normal.

- Introduzca el enchufe de alimentación en la toma de corriente.
- Cuando la luz indicadora se encienda, el termostato controlará automáticamente la temperatura. Una vez que la temperatura del agua en el interior del calefactor haya alcanzado la temperatura establecida, se apagará automáticamente, cuando la temperatura del agua descienda por debajo del punto establecido, el calefactor se encenderá automáticamente para restablecer el calentamiento.



1. Para aumentar o disminuir la temperatura de ajuste, gire el mando de acuerdo con la marca que aparece en el mismo. En modo Bajo, la temperatura de ajuste es de unos 30C°; En modo Alto, la temperatura de ajuste es de unos 75C°; en modo Eco, la temperatura de ajuste es de unos 55C°.
2. En estado encendido, la máquina calienta agua cuando la luz indicadora es azul. Cuando el proceso de calentamiento ha terminado, la luz indicadora se apaga en estado aislado.

## 5 Limpieza y mantenimiento

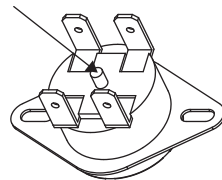


**¡ADVERTENCIA!** Para evitar el peligro de una descarga eléctrica, antes de realizar el mantenimiento, corte el suministro eléctrico.

- Compruebe el enchufe y la toma de corriente con la mayor frecuencia posible. Es necesario que haya un contacto eléctrico seguro y una conexión a tierra adecuada. Ni el enchufe ni la toma de corriente deben calentarse excesivamente.
- En caso de que el calefactor no se utilice durante mucho tiempo, especialmente en regiones con baja temperatura del aire (por debajo de 0°C), es necesario drenar el agua del calentador para evitar daños en el calefactor de agua, debido a la congelación del agua en el tanque interno. (Consulte las precauciones en este manual para el método de drenaje del agua del contenedor interno).
- Es aconsejable limpiar regularmente el depósito interno y eliminar los depósitos en la resistencia eléctrica del calentador de agua, así como comprobar el estado (totalmente descompuesto o no) del ánodo de magnesio y, si es necesario, sustituirlo por uno nuevo en caso de descomposición total. La limpieza se debe llevar a cabo por los servicios de mantenimiento especiales. Puede solicitar al distribuidor la dirección del centro de servicio más cercano.
- El calefactor de agua está dotado con un interruptor térmico, que corta el suministro de energía del elemento calefactor en caso de sobrecalentamiento del agua o de ausencia de agua en el calefactor. El hecho de que el calefactor de agua esté conectado a la red eléctrica, pero el agua no se caliente y el indicador no se encienda, significa que el interruptor térmico está desconectado o no está conectado. Para reponer el calefactor de agua a la condición de funcionamiento, es necesario:

1. Quitar la energía del calefactor de agua, retirar la placa de la tapa lateral/inferior.
2. Pulsar el botón, situado en el centro del interruptor térmico, ver Fig.7;
3. Si no se pulsa el botón y no se produce ningún sonido de clic, se debe esperar hasta que el interruptor térmico se enfríe hasta la temperatura inicial.

Botón de reinicio manual



(Fig.7)



**¡ADVERTENCIA!** No se permite a los no profesionales desmontar el interruptor térmico para reajustarlo. Por favor, póngase en contacto con profesionales para el mantenimiento. En caso contrario, nuestra empresa no se hará responsable de cualquier accidente de calidad que se produzca por este motivo.

## 6 Solución de problemas

Fallas	Razones	Solución
La luz indicadora de calefacción está apagada.	Fallos en el regulador de temperatura.	Póngase en contacto con el personal profesional para su reparación.
No sale agua por la salida de agua caliente.	<ol style="list-style-type: none"><li>1. El suministro de agua corriente está cortado.</li><li>2. La presión hidráulica es demasiado baja.</li><li>3. La válvula de entrada de agua corriente no está abierta.</li></ol>	<ol style="list-style-type: none"><li>1. Espere hasta que se restablezca el suministro de agua corriente.</li><li>2. Vuelva a utilizar el calefactor cuando aumente la presión hidráulica.</li><li>3. Abra la válvula de entrada de agua corriente.</li></ol>
La temperatura del agua es demasiado alta.	Fallos en el sistema de control de la temperatura.	Póngase en contacto con el personal profesional para su reparación.
Fuga de agua	Problema de sellado de la junta de cada tubería.	Selle las juntas.



Las piezas que aparecen en el presente manual de uso y mantenimiento son sólo indicativas, las piezas suministradas con el producto pueden diferir de las ilustradas. Las especificaciones pueden ser modificadas sin previo aviso.

# Przed rozpoczęciem użytkowania należy zapoznać się z instrukcją obsługi!

Szanowni Klienci,

dziękujemy za wybranie produktu firmy Grundig. Mamy nadzieję, że wyrób ten, wyprodukowany z zapewnieniem wysokiej jakości przy użyciu najnowszych technologii, okaże się w pełni zadowolający. Przed użyciem urządzenia należy uważnie przeczytać całą instrukcję obsługi oraz towarzyszące jej dokumenty i zachować ją do wglądu na przyszłość. Przekazując wyrób innemu użytkownikowi, należy dołączyć również niniejszą instrukcję. Proszę przestrzegać wszystkich ostrzeżeń i informacji zawartych w tej instrukcji obsługi.

Pamiętaj, że ta instrukcja obsługi może dotyczyć także innych modeli. Różnice między modelami są wyraźnie opisane w instrukcji.

## Znaczenie symboli

W niniejszej instrukcji stosuje się następujące symbole:



Ważne informacje i przydatne wskazówki dotyczące użytkowania.



**OSTRZEŻENIE:** Ostrzeżenia dotyczące sytuacji zagrażających bezpieczeństwu, życiu i mieniu.



Urządzenie zostało wyprodukowane w przyjaznych środowisku, nowoczesnych zakładach bez negatywnego wpływu na przyrodę.

Wyrób zgodny z Dyrektywą WEEE.

Nie zawiera polichlorowanych bifenyli (PCB).



# 1 Ważne instrukcje dotyczące bezpieczeństwa i ochrony środowiska

Rozdział ten zawiera instrukcje bezpieczeństwa, które pomogą w uniknięciu obrażeń ciała lub uszkodzeń mienia. Nieprzestrzeganie tych instrukcji unieważnia gwarancję.

## 1.1 Ogólne zasady bezpieczeństwa

- Instalacja i konserwacja muszą być wykonywane przez autoryzowany serwis Grundig.
- Należy stosować wyłącznie oryginalne lub zalecane przez producenta części zamienne.
- Wyczyść wszystkie części przed pierwszym użyciem urządzenia. Szczegółowe informacje można znaleźć w rozdziale „Czyszczenie i konserwacja”.
- Gwarancją nie są objęte grzałki uszkodzone na skutek zwapnienia i pracy bez wody.
- Zawór bezpieczeństwa nie powinien być nigdy demontowany, blokowany (rurka wylotowa zaworu bezpieczeństwa powinna być zawsze otwarta i nigdy nie być zamknięta), montaż powinien być wykonany przez autoryzowany serwis.
- Ustawienia zaworu bezpieczeństwa zostały wykonane przez producenta. Nigdy nie wyjmuj zaworu bezpieczeństwa z urządzenia i nie zmieniaj jego ustawienia.
- Woda będzie wypływać z zaworu bezpieczeństwa w celach bezpieczeństwa przy wysokim ciśnieniu wody, nie jest to awaria, ale jest to wymagane przez normę bezpieczeństwa.
- Nigdy nie wymieniaj zaworu bezpieczeństwa dostarczonego z urządzeniem.
- Zawór bezpieczeństwa powinien być chroniony przed zwapnieniem. Producent nie ponosi odpowiedzialności za awarie lub wypadki spowodowane zwapnieniem.

# 1 Ważne instrukcje dotyczące bezpieczeństwa i ochrony środowiska

Zaleca się coroczne serwisowanie urządzenia i sprzętu.

- Rura spustowa zaworu bezpieczeństwa powinna być zawsze otwarta i nigdy nie powinna być zamknięta.
- Po zamontowaniu urządzenia należy odkręcić kran ciepłej wody, aby urządzenie napełniło się wodą. Gdy z kranu zaczyna płynąć woda, oznacza to, że zbiornik urządzenia jest napełniony wodą.
- Jeśli ciśnienie w sieci jest większe niż 6,5 bara, należy użyć regulatora ciśnienia.

## 1.2 Bezpieczeństwo elektryczne

- Urządzenie nie powinno być nigdy podłączane za pomocą przedłużacza lub wtyczek wielokrotnych. Urządzenie musi być podłączone do stałego okablowania.
- Napięcie robocze urządzenia wynosi 230 V.

- Upewnij się, że napięcie sieciowe Twojej instalacji elektrycznej jest odpowiednie dla napięcia roboczego urządzenia 230 V – 50 Hz.
- Urządzenie musi być uziemione.
- Sprawdź, czy przewód zasilający urządzenia jest zgodny z prądem roboczym urządzenia podanym na etykiecie urządzenia.

## 1.3 Bezpieczeństwo urządzenia

- Nigdy nie używaj urządzenia w pobliżu lub na łatwopalnych lub palnych środowiskach lub materiałach.
- Nie używaj urządzenia, dopóki nie zostanie całkowicie napełnione wodą. Uruchamianie pustego urządzenia może spowodować uszkodzenie grzejnika. Pamiętaj, aby uniknąć tej sytuacji.

# 1 Ważne instrukcje dotyczące bezpieczeństwa i ochrony środowiska

- Zaleca się wymianę pręta anody magnezowej, która chroni zbiornik urządzenia przed przebicciem, co 2 lata, w zależności od twardości używanej wody i sposobu jej użytkowania. W razie potrzeby anodę należy wymienić.
- Rura drenażowa musi być cały czas skierowana w dół i zainstalowana w środowisku niezamierzającym.
- Odpływ spustowy zaworu bezpieczeństwa musi być podłączony do odpowiedniego odpływu wody.
- Otwór spustowy zaworu bezpieczeństwa nigdy nie powinien być zamknięty, powinien być otwarty, aby mógł odprowadzać wodę, a dostarczony wąż powinien być podłączony do wylotu wody.
- Nie używaj urządzenia do celów niezgodnych z jego przeznaczeniem.
- Nie używaj urządzenia jako źródła ciepła.

## 1.5 Bezpieczeństwo dzieci

- Zaleca się zachowanie szczególnej ostrożności podczas korzystania z urządzenia w pobliżu dzieci i osób o ograniczonej sprawności fizycznej, emocjonalnej lub umysłowej.
- Dzieci nie należy pozostawiać bez opieki, aby mieć pewność, że nie będą się one bawić urządzeniem. To urządzenie może być obsługiwane przez dzieci w wieku 8 lat i starsze, osoby niepełnosprawne fizycznie, psychicznie lub sensorycznie, a także osoby bez doświadczenia lub wiedzy w zakresie obsługi urządzenia, o ile znajdują się one pod nadzorem lub zostały szczegółowo poinstruowane o bezpiecznym korzystaniu z urządzenia i potencjalnych zagrożeniach.

## 1.4 Przeznaczenie

- Urządzenie przeznaczone jest wyłącznie do użytku domowego. Urządzenie nie nadaje się on do użytku profesjonalnego.

# 1 Ważne instrukcje dotyczące bezpieczeństwa i ochrony środowiska

Dzieci nie mogą bawić się tym urządzeniem. Dzieci bez nadzoru nie mogą czyścić ani konserwować tego urządzenia.

- Ryzyko zadławienia! Trzymaj materiał użyty do opakowania z dala od dzieci.
- Urządzenie należy trzymać poza zasięgiem dzieci.

## 1.6 Zgodność z dyrektywą WEEE i utylizacja produktu:

Urządzenie to jest zgodne z Dyrektywą WEEE UE (2012/19/UE) Rozporządzenia WEEE (S.I.2013/3113 wraz z poprawkami). Urządzenie nosi symbol klasyfikacyjny dla zużytego sprzętu elektrycznego i elektronicznego (WEEE).



Ten symbol oznacza, że sprzęt nie może być umieszczany łącznie z innymi odpadami gospodarstwa domowego po okresie jego użytkowania. Zużyte urządzenie należy oddać do specjalnego punktu zbiórki zużytego sprzętu elektrycznego i elektronicznego w celu utylizacji. Aby uzyskać informacje o punktach zbiórki w swojej okolicy należy skontaktować się z lokalnymi władzami lub punktem sprzedaży tego produktu. Gospodarstwo domowe spełnia ważną rolę w przyczynianiu się do ponownego użycia i odzysku zużytego sprzętu. Odpowiednie postępowanie ze zużytym sprzętem zapobiega potencjalnym negatywnym konsekwencjom dla środowiska naturalnego i ludzkiego zdrowia.

## 1.7 Zgodność z dyrektywą RoHS:

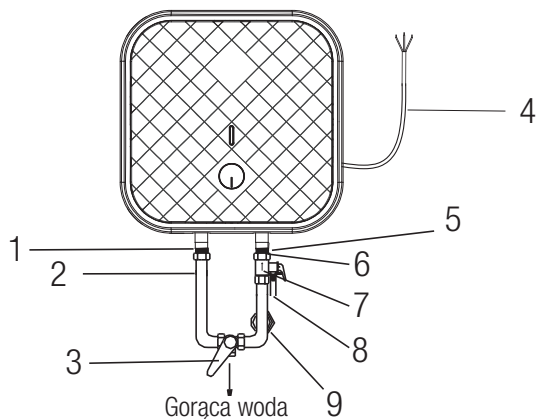
Zakupione urządzenie jest zgodne z Dyrektywą RoHS UE (2011/65/UE) oraz Dyrektywą RoHS GB 2012. Nie zawiera szkodliwych i zakazanych materiałów, podanych w tej dyrektywie.

## 1.8 Informacje o opakowaniu



Opakowanie urządzenia zostało wykonane z materiałów nadających się do recyklingu zgodnie z naszymi krajowymi przepisami dotyczącymi ochrony środowiska. Nie wyrzucaj opakowania razem z odpadami domowymi lub innymi odpadami. Należy je dostarczyć do punktów odbioru materiałów opakowaniowych wyznaczonych przez władze lokalne.

## 2 Omówienie



### 2.1 Elementy sterujące i części

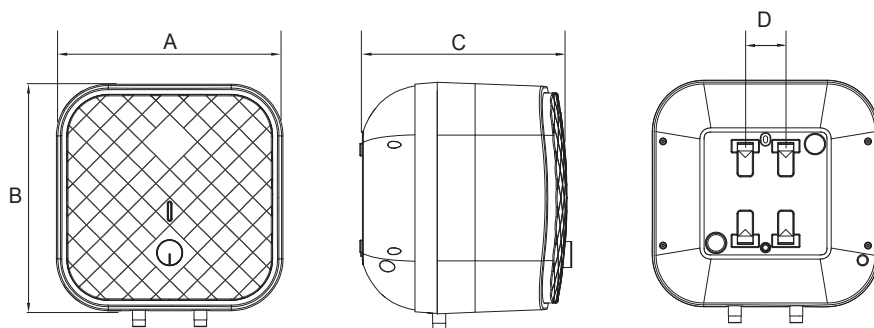
1. Uszczelki gumowe
2. Wylot gorącej wody
3. Pokrętko regulacyjne zaworu mieszającego
4. Kabel zasilający
5. Uszczelki gumowe
6. Wlot zimnej wody
7. Nadciśnieniowy zawór bezpieczeństwa
8. Otwór zwalniający ciśnienie
9. Śruba łącząca do wlotu zimnej wody

### 2.2 Dane techniczne

Model	GWH 10L	GWH 15L	GWH 30L
<b>Napięcie / Częstotliwość</b>	220-240 V, 50/60 Hz	220-240 V, 50/60 Hz	220-240 V, 50/60 Hz
<b>Moc znamionowa</b>	1500 W	1500 W	1500 W
<b>Ochrona przed porażeniem prądem elektrycznym</b>	Klasa I	Klasa I	Klasa I
<b>Ciśnienie znamionowe</b>	0,75 MPa	0,75 MPa	0,75 MPa
<b>Stopień wodoodporności</b>	IPX4	IPX4	IPX4
<b>Ładowność znamionowa</b>	10,0 l	15,0 l	29,0 l
<b>Wymiary urządzenia</b>	324*324*315	368*368*340	440*440*420
<b>Waga netto (kg)</b>	7,3	8,8	14,1
<b>Waga całkowita (kg)</b>	8,8	11,2	16,0

## 2 Omówienie

### 2.3 Krótkie wprowadzenie struktury produktu

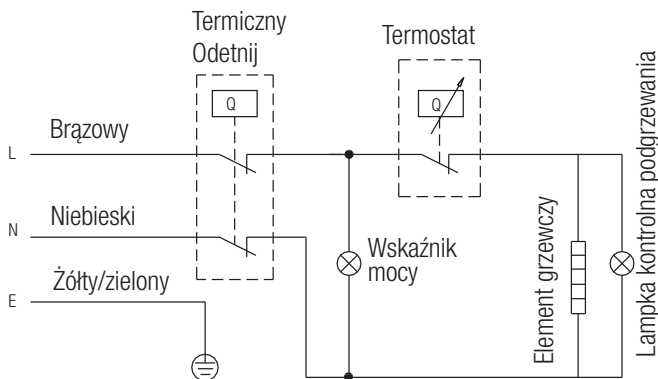


Model	GWH 10 L	GWH 15 L	GWH 30 L
A	324	368	440
B	324	368	440
C	315	340	388
D	66	66	66

(Wszystkie wymiary podano w mm)

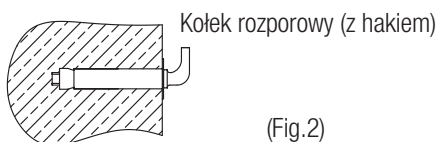
## 3 Instalacja

### 3.1 Schemat połączeń wewnętrznych



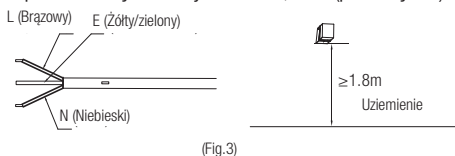
### 3.2 Instrukcja montażu

1. Ten elektryczny podgrzewacz wody należy montować na litej ścianie. Jeżeli wytrzymałość ściany nie jest w stanie wytrzymać obciążenia równego dwukrotności masy całkowitej napełnionej wodą nagrzewnicy, konieczne jest zamontowanie specjalnego wspornika. W przypadku ściany z pustaków należy całkowicie wypełnić je betonem cementowym.
2. Po wybraniu odpowiedniej lokalizacji należy ustalić położenie dwóch otworów montażowych do kołków rozporowych z hakiem (200 mm), Zrobić dwa otwory w ścianie o odpowiedniej głębokości za pomocą wiertła o rozmiarze pasującym do kołków rozporowych dołączonych do maszyny, wkręcić śruby, odchylić haczyk do góry, mocno dokręcić nakrętki, a następnie zawiesić na nim elektryczny podgrzewacz wody (patrz: rys. 2).



(Fig.2)

3. Zainstaluj gniazdo zasilania w ścianie. Wymagania dotyczące gniazda są następujące: 250 V/10 A, jednofazowe, trzy elektrody. Zaleca się umieszczenie gniazda po prawej stronie nad grzejnikiem. Odległość gniazda do podłoża nie powinna być mniejsza niż 1,8 m (patrz rys.3).



(Fig.3)

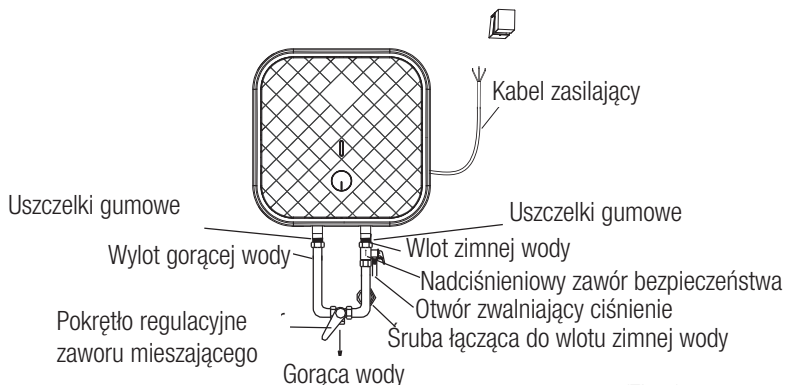
4. Jeśli łazienka jest za mała, grzejnik można zamontować w innym miejscu. Jednakże, w celu zminimalizowania strat ciepła spowodowanych długim rurociągiem zaleca się instalację podgrzewacza wody możliwie najbliżej punktu wyłotowego.

### 3.3 Podłączenie rurociągu

1. Wymiar każdej części rury to G1/2"; Masywne ciśnienie wlotowe powinno wykorzystywać Pa jako jednostkę; Minimalne ciśnienie wlotowe powinno przyjąć Pa jako jednostkę.

### 3 Instalacja

2. Połączenie zaworu bezpieczeństwa z nagrzewnicą na wlocie do nagrzewnicy wodnej.
3. Aby uniknąć przecieków podczas podłączania rurociągów, na końcach gwintów należy dodać gumowe uszczelki, które są dostarczane wraz z nagrzewnicą, aby zapewnić szczelne połączenia (patrz Rys.4).

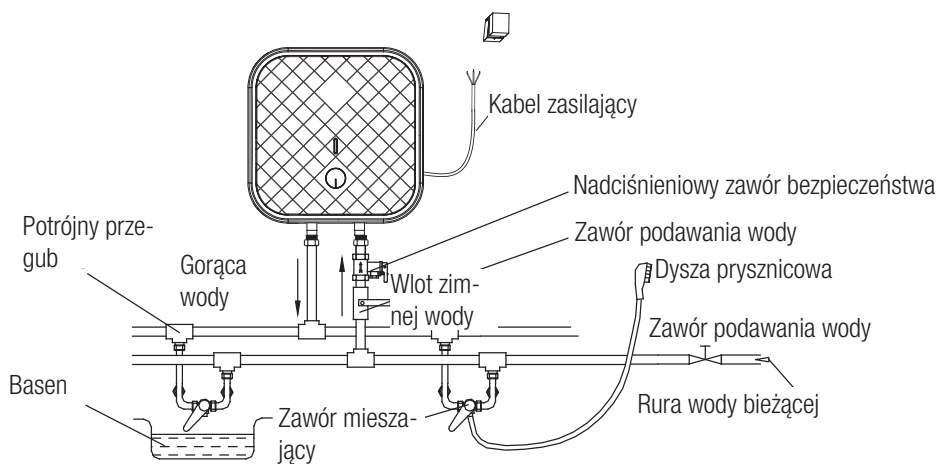


(Fig.4)

4. Jeśli użytkownicy chcą zrealizować wielodrożny system zasilania, należy zapoznać się z metodą pokazaną na rys. 5 w celu podłączenia rurociągów.



### 3 Instalacja



(Fig.5)



Pamiętaj, aby użyć akcesoriów dostarczonych przez naszą firmę, aby zainstalować ten elektryczny podgrzewacz wody. Ten elektryczny podgrzewacz wody nie może być zawieszony na wsporniku, dopóki nie zostanie potwierdzone, że jest solidny i niezawodny. W przeciwnym razie elektryczny podgrzewacz wody może odpaść od ściany, powodując uszkodzenie podgrzewacza, a nawet poważne obrażenia. Przy określaniu położenia otworów na śruby należy upewnić się, że po prawej stronie nagrzewnicy elektrycznej jest odstęp nie mniejszy niż 0,2 m, aby w razie potrzeby ułatwić konserwację nagrzewnicy.

## 4 Obsługa

Najpierw otwórz jeden z zaworów wylotowych na wylocie podgrzewacza wody, a następnie otwórz zawór wlotowy. Podgrzewacz wody zostaje napełniony wodą. Wypływ wody z rury wylotowej oznacza, że podgrzewacz został całkowicie napełniony wodą i można zamknąć zawór wylotowy.



Podczas normalnej pracy zawór wlotowy powinien być zawsze otwarty.

- Włóż wtyczkę zasilacza do gniazdka.
- Jeśli wskaźnik się zaświeci, termostat automatycznie kontroluje temperaturę. Gdy temperatura wody wewnątrz grzałki osiągnie ustaloną temperaturę, wyłączy się on automatycznie, gdy temperatura wody spadnie poniżej ustawionej wartości grzałka włączy się automatycznie w celu przywrócenia grzania.



1. Obracaj pokrętkę zgodnie z oznaczeniem na pokrętkle, aby zwiększyć lub zmniejszyć nastawę temperatury. W trybie Niskim ustawienie temperatury wynosi około 30°C; W trybie wysokim temperatura ustawienia wynosi około 75°C; W trybie Eco temperatura ustawienia wynosi około 55°C.

2. W stanie włączonym urządzenie nagrzewa się, gdy lampka kontrolna jest niebieska. Lampka kontrolna gaśnie po zakończeniu procesu nagrzewania, w stanie izolacji.

## 5 Czyszczenie i konserwacja

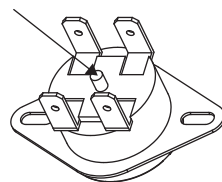


**OSTRZEŻENIE!** Odłącz zasilanie przed konserwacją, aby uniknąć niebezpieczeństwa, takiego jak porażenie prądem.

- Sprawdzaj wtyczkę i gniazdko zasilania tak często, jak to możliwe. Należy zapewnić bezpieczny styk elektryczny, a także właściwe uziemienie. Wtyczka i gniazdko nie mogą się nadmiernie nagrzewać.
- Jeśli grzejnik nie jest używany przez dłuższy czas, szczególnie w regionach o niskiej temperaturze powietrza (poniżej 0°C), konieczne jest spuszczenie wody z podgrzewacza, aby zapobiec uszkodzeniu podgrzewacza wody z powodu zamarzania wody w zbiorniku wewnętrznym.
- W celu zapewnienia długiej i niezawodnej pracy podgrzewacza zaleca się regularne czyszczenie zbiornika wewnętrznego i usuwanie osadów na grzałce elektrycznej podgrzewacza, a także sprawdzanie stanu (w pełni rozłożony lub nie) anody magnezowej i w razie potrzeby wymienić na nową w przypadku pełnego rozkładu. Częstotliwość czyszczenia zbiornika uzależniona jest od twardości wody znajdującej się na tym terenie. Czyszczenie muszą być wykonywane przez specjalne służby konserwacyjne. Możesz zapytać sprzedawcę o adres najbliższego centrum serwisowego.
- Podgrzewacz wody wyposażony jest w wyłącznik termiczny, który odcina zasilanie grzałki w przypadku przegrzania wody lub jej braku w podgrzewaczu. Jeżeli podgrzewacz wody jest podłączony do sieci, ale woda nie jest podgrzewana i kontrolka się nie świeci, oznacza to, że wyłącznik termiczny był wyłączony lub nie został włączony. Aby zresetować podgrzewacz wody do stanu roboczego, należy:

1. Odłączyć podgrzewacz wody, zdjąć płytkę bocznej/dolnej pokrywy.
2. Nacisnąć przycisk znajdujący się pośrodku wyłącznika termicznego, patrz Rys.7;
3. Jeżeli przycisk nie jest wciśnięty i nie słychać klikania, należy poczekać, aż wyłącznik termiczny ostygnie do temperatury początkowej.

Przycisk ręcznego resetowania



(Rys.7)



**OSTRZEŻENIE!** Nieprofesjonaliści nie mogą demontować wyłącznika termicznego w celu zresetowania. Skontaktuj się z profesjonalistami w celu utrzymania. W przeciwnym razie nasza firma nie będzie ponosić odpowiedzialności, jeśli z tego powodu wydarzy się jakikolwiek wypadek jakościowy.

## 6 Rozwiązywanie problemów

Awarie	Przyczyny	Postępowanie
Kontrolka ogrzewania nie świeci.	Awarie regulatora temperatury.	Skontaktuj się z profesjonalnym personelem w celu naprawy.
Woda nie wypływa z wylotu gorącej wody.	<ol style="list-style-type: none"><li>1. Dopływ bieżącej wody jest odcięty.</li><li>2. Ciśnienie hydrauliczne jest za niskie.</li><li>3. Zawór wlotowy bieżącej wody nie jest otwarty.</li></ol>	<ol style="list-style-type: none"><li>1. Poczekaj na przywrócenie dopływu bieżącej wody.</li><li>2. Ponownie użyj grzałki, gdy ciśnienie hydrauliczne wzrośnie.</li><li>3. Otwórz zawór wlotowy bieżącej wody.</li></ol>
Temperatura wody jest zbyt wysoka.	Awarie systemu kontroli temperatury.	Skontaktuj się z profesjonalnym personelem w celu naprawy.
Wyciek wody	Problem uszczelnienia złącza każdej rury.	Uszczelnij złącza.



Części przedstawione w niniejszej instrukcji użytkowania i konserwacji są jedynie orientacyjne, części dostarczone z urządzeniem mogą różnić się od ilustracji. Urządzenie to jest przeznaczone wyłącznie do użytku domowego. Specyfikacje mogą ulec zmianie bez uprzedzenia.

# GRUNDIG

Beko Grundig Deutschland GmbH  
Thomas-Edison-Platz 3  
63263 Neu-Isenburg

[www.grundig.com](http://www.grundig.com)